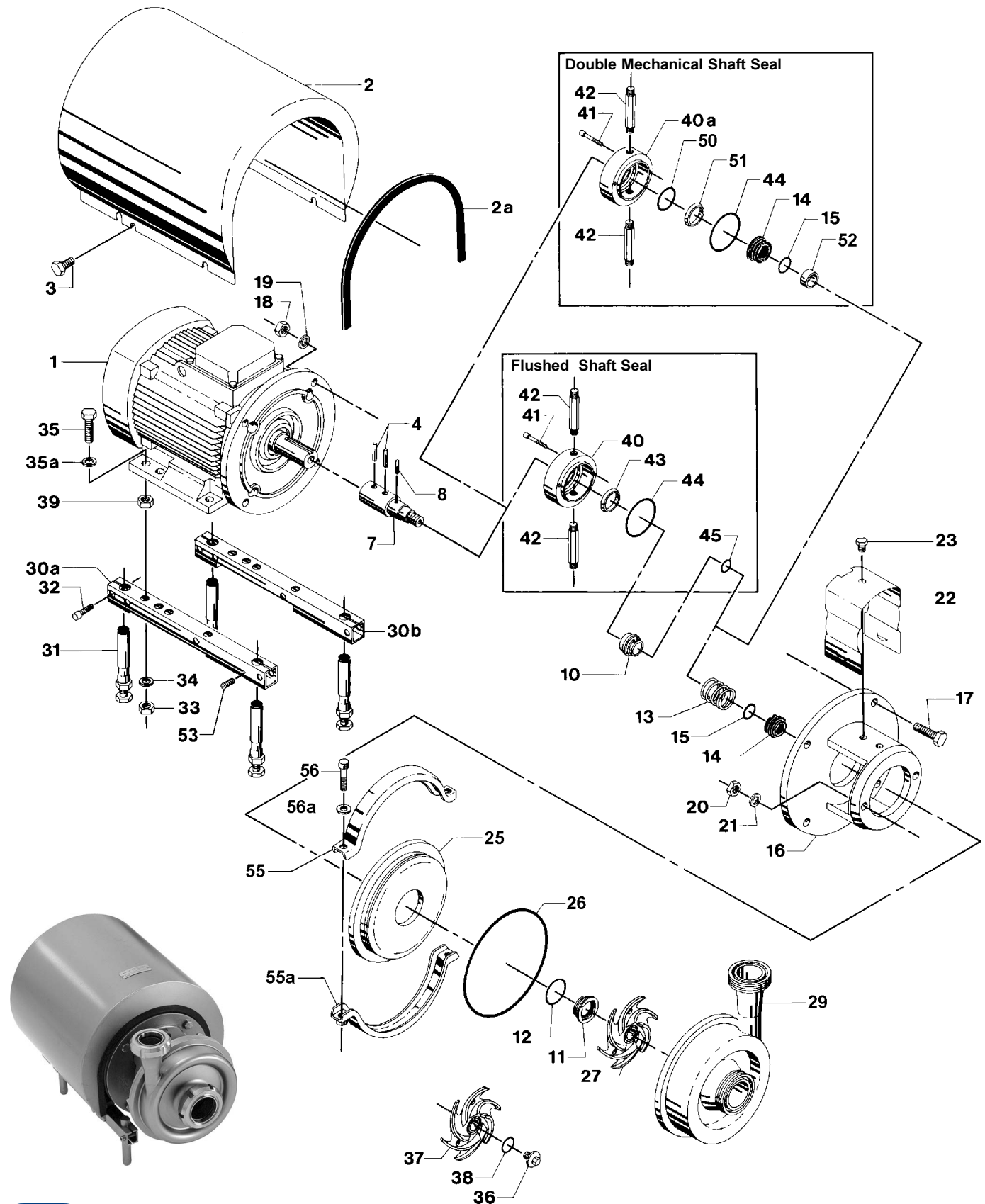


**Centrifugal Pump, Type LKH-5**  
**Single, flushed and double mechanical shaft seal**



# Centrifugal Pump, Type LKH-5

## Single, flushed and double mechanical shaft seal



Pos.	Qty.	Denomination	0.75-1.1 kW	1.5-2.2 kW
3	4	Screw	9611-99-3240	9611-99-3240
2	1	Shroud	9612-1390-26	9612-1390-01
2a	1	Edge list (included in pos.2)		
4	2	Screw	9612-5875-01	9612-5875-02
7	1	Shaft and pin (pos.8)	9612-5881-01	9612-5882-01
8	1	Connex pin	9611-99-0622	9611-99-0622
10	1	Drive ring, <b>Single shaft seal</b>	9612-1377-01	9612-1377-01
	1	Drive ring, <b>Flushed shaft seal</b>	9612-1397-01	9612-1397-01
16	1	Adaptor	9612-5879-01	9612-5879-01
17	4	Screw for adaptor	9611-99-1911	9611-99-1911
18	4	Nut for adaptor	9611-99-0353	9611-99-0353
19	4	Washer for adaptor	9611-99-1887	9611-99-1887
20	2	Nut	9611-99-0360	9611-99-0360
21	2	Washer	9611-99-1831	9611-99-1831
22	1	Safety guard	9612-5939-01	9612-5939-01
23	1	Screw for safety guard	9611-99-3239	9611-99-3239
56	2	Screw	9611-99-1126	9611-99-1126
56a	2	Spring washer	9611-99-1888	9611-99-1888
55	1	Upper clamp	9612-5895-02	9612-5895-02
55a	1	Lower clamp	9612-5896-02	9612-5896-02
25	1	Back plate	9612-1384-28	9612-1384-28
26	1	O-ring, EPDM, (standard)	9611-99-3560	9611-99-3560
	1	O-ring, NBR	9611-99-3561	9611-99-3561
	1	O-ring, FPM	9611-99-3562	9611-99-3562
	1	O-ring, FEP	9611-99-3563	9611-99-3563
27	1	Impeller	9612-5876-01	9612-5876-01
29	1	Pump casing, IDF	9612-4924-25	9612-4924-25
	1	Pump casing, SMS	9612-4924-26	9612-4924-26
	1	Pump casing, DIN	9612-4924-27	9612-4924-27
	1	Pump casing, ISO	9612-4924-28	9612-4924-28
	1	Pump casing, BS	9612-4924-29	9612-4924-29
	1	Pump casing, DS	9612-4924-30	9612-4924-30
	1	Pump casing, flange	9612-1380-14	9612-1380-14
Legs				
30a	1	Support bar, right	9612-1322-01	9612-1322-01
30b	1	Support bar, left	9612-1323-01	9612-1323-01
31	4	leg	9612-3967-01	9612-3967-01
32	4	Screw	9611-99-1126	9611-99-1126
33	4	Nut	9611-99-0360	9611-99-0360
34	4	Spring washer	9611-99-1888	9611-99-1888
35	4	Screw	9611-99-1176	9611-99-1176
35a	4	Washer	9611-99-1831	9611-99-1831
39	4	Nut	9611-99-0353	9611-99-0353

**Alternatives**

36	1	Impeller screw	9612-3627-01	9612-3627-01
37	1	Impeller for impeller screw	9612-5876-02	9612-5876-02
38	1	O-ring EPDM	9611-99-2750	9611-99-2750
	1	O-ring NBR	9611-99-2751	9611-99-2751
	1	O-ring FPM	9611-99-2752	9611-99-2752
	1	O-ring FEP	9611-99-3539	9611-99-3539

Recommended Spare Parts: Service kits.  
900001/0

Pos.	Qty.	Denomination	0.75kW	1.1kW	1.5kW	2.2kW
1	1	Motor, M2AA**	9612-4028-38	31801-2062-1	31801-1982-1	31801-1983-1
	1	Motor, M2AA***	9612-4028-39	31801-2062-2	31801-1982-2	31801-1983-2
** 3 ~, 50 Hz, 220-240VA/380-420VY - Standard *** 3 ~, 50 Hz, 380-420VA/660-690VY - Option						
3 ~, 60 Hz, 250-280VA/440-480VY - Standard 3 ~, 60 Hz, 440-480VA - Option						
Conversion kit, single to flushed shaft seal 9611-92-2042 = Pos. 10+40b+41+42+43+44+45						
Conversion kit, single to double mechanical shaft seal 9611-92-2175 = Pos. 14+15+40a+41+42+44+50+51+52						
Conversion kit, flushed to double mechanical shaft seal 9611-92-2176 = Pos. 14+40a+50+51+52						

Pos.	Qty.	Denomination	0.75-2.2 kW
<b>Accessories</b>			
1	1	Tool complete	9612-1371-01
Shaft Seal: See page 58 and 59			

**Parts for Flushed Shaft Seal**

40	1	Seal housing	9612-1339-01
41	2	Screw for seal housing	9611-99-0203
42	2	Tube	9612-3589-01

**Parts for Double Mechanical Shaft Seal**

40a	1	Seal housing	9612-1339-02
41	2	Screw for seal housing	9611-99-0203
42	2	Tube	9612-3589-01

**Service kit for single shaft seal**

<input type="checkbox"/>	Service kit, EPDM	9611-92-2302
<input type="checkbox"/>	Service kit, NBR	9611-92-2303
<input type="checkbox"/>	Service kit, FPM	9611-92-2304
<input type="checkbox"/>	Service kit, FEP	9611-92-2305

**Service kit for single shaft seal and impeller screw**

<input type="checkbox"/>	Service kit, EPDM	9611-92-2306
<input type="checkbox"/>	Service kit, NBR	9611-92-2307
<input type="checkbox"/>	Service kit, FPM	9611-92-2308
<input type="checkbox"/>	Service kit, FEP	9611-92-2309

**Service kit for flushed shaft seal**

<input type="checkbox"/>	Service kit, EPDM	9611-92-2310
<input type="checkbox"/>	Service kit, NBR	9611-92-2311
<input type="checkbox"/>	Service kit, FPM	9611-92-2312
<input type="checkbox"/>	Service kit, FEP	9611-92-2313

**Service kit for flushed shaft seal and impeller screw**

<input type="checkbox"/>	Service kit, EPDM	9611-92-2314
<input type="checkbox"/>	Service kit, NBR	9611-92-2315
<input type="checkbox"/>	Service kit, FPM	9611-92-2316
<input type="checkbox"/>	Service kit, FEP	9611-92-2317

**Service kit for double mechanical shaft seal**

<input type="checkbox"/>	Service kit, EPDM	9611-92-2318
<input type="checkbox"/>	Service kit, NBR	9611-92-2319
<input type="checkbox"/>	Service kit, FPM	9611-92-2320
<input type="checkbox"/>	Service kit, FEP	9611-92-2321

**Service kit for double mechanical shaft seal and impeller screw**

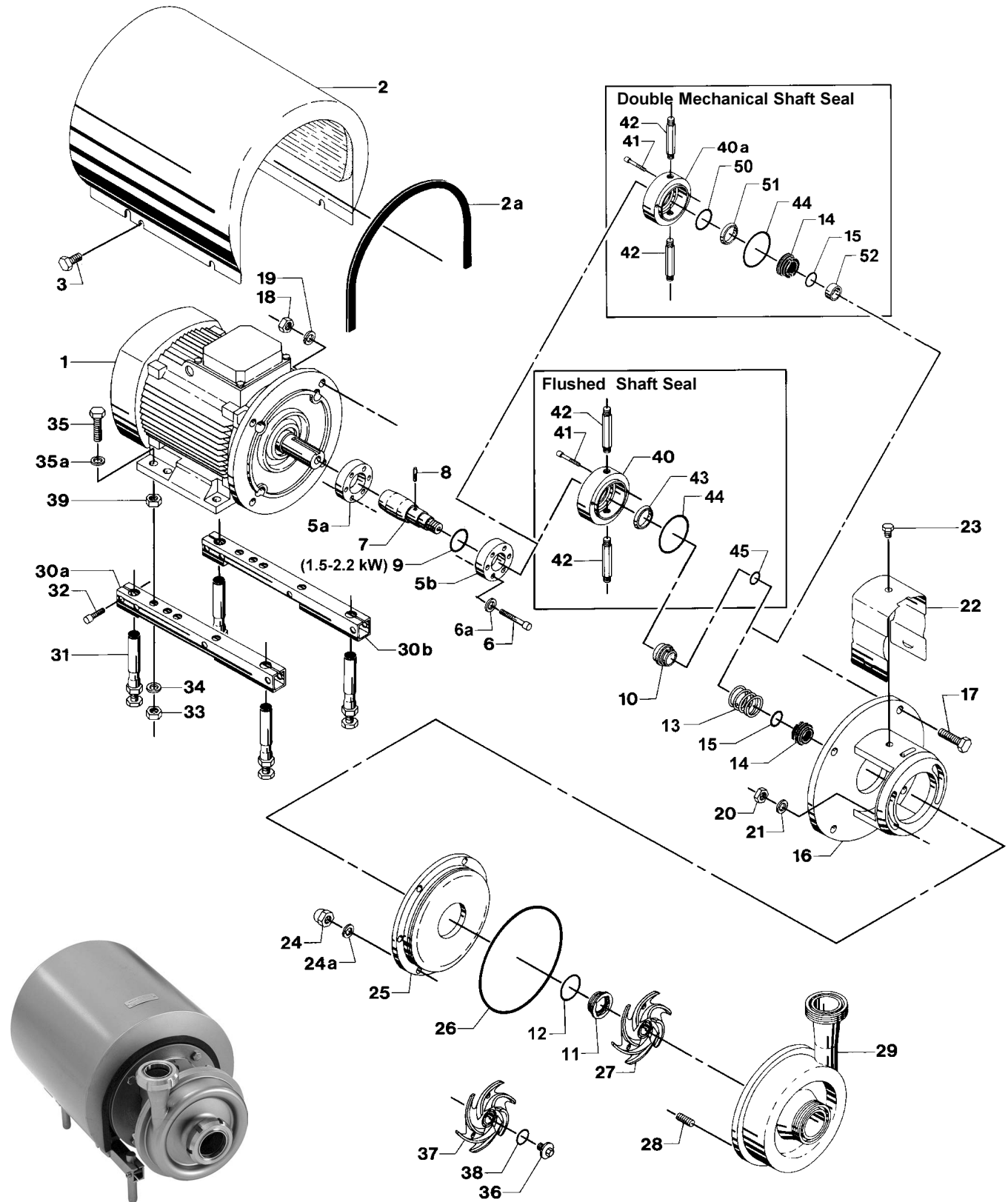
<input type="checkbox"/>	Service kit, EPDM	9611-92-2322
<input type="checkbox"/>	Service kit, NBR	9611-92-2323
<input type="checkbox"/>	Service kit, FPM	9611-92-2324
<input type="checkbox"/>	Service kit, FEP	9611-92-2325

Parts marked with /◆/○/★/◇/● are included in the service kits.

### Surface roughness, product wetted parts: Ra ≤ 0.8 μm

Pos.	Qty.	Denomination	0.75-1.1kW	1.5-2.2kW
25	1	Back plate	9612-1384-30	9612-1384-30
27	1	Impeller	9612-5876-05	9612-5876-05
29	1	Pump casing, IDF	9612-4925-25	9612-4925-25
	1	Pump casing, SMS	9612-4925-26	9612-4925-26
	1	Pump casing, DIN	9612-4925-27	9612-4925-27
	1	Pump casing, ISO	9612-4925-28	9612-4925-28
	1	Pump casing, BS	9612-4925-29	9612-4925-29
	1	Pump casing, DS	9612-4925-30	9612-4925-30
<b>Alternatives</b>				
36	1	Impeller screw	9612-3627-03	9612-3627-03
37	1	Impeller for impeller screw	9612-5876-06	9612-5876-06

**Centrifugal Pump, Type LKH-10**  
Single, flushed and double mechanical shaft seal



# Centrifugal Pump, Type LKH-10

## Single, flushed and double mechanical shaft seal



Pos.	Qty.	Denomination	1.5-2.2 kW	3 kW	4 kW
3	4	Screw	9611-99-3240	9611-99-3240	9611-99-3240
5a	1	Compression ring with thread	9612-1336-01	9612-1336-02	9612-1336-02
5b	1	Compression ring without thread	9612-1337-01	9612-1337-02	9612-1337-02
6	6	Screw	9611-99-3196	9611-99-3196	9611-99-3196
6a	6	Washer	9611-99-3199	9611-99-3199	9611-99-3199
7	1	Shaft with internal/external thread and pin (pos.8)		9612-1325-02	9612-1325-02
	1	Shaft with internal/external thread, pin (pos.8) and retaining ring (pos.9)	9612-1324-02		
8	1	Connex pin	9611-99-0622	9611-99-0622	9611-99-0622
9	1	Retaining ring	9611-99-2307		
10	1	Drive ring, <b>Single shaft seal</b>	9612-1377-01	9612-1377-01	9612-1377-01
11	1	Drive ring, <b>Flushed shaft seal</b>	9612-1397-01	9612-1397-01	9612-1397-01
16	1	Adaptor	9612-3423-01	9612-3424-01	9612-3424-01
17	4	Screw for adaptor	9611-99-2161	9611-99-1834	9611-99-1834
18	4	Nut for adaptor	9611-99-0353	9611-99-0587	9611-99-0587
19	4	Washer for adaptor	9611-99-1887	9611-99-0676	9611-99-0676
20	2	Nut	9611-99-0353	9611-99-0353	9611-99-0353
21	2	Washer	9611-99-2559	9611-99-2559	9611-99-2559
22	1	Safety guard	9612-1311-05	9612-1311-06	9612-1311-06
23	1	Screw for safety guard	9611-99-3239	9611-99-3239	9611-99-3239
24	6	Cap nut (Period 9211-)	9611-99-2592	9611-99-2592	9611-99-2592
	6	Handle (Period -9210)	9611-99-2302	9611-99-2302	9611-99-2302
24a	6	Washer (Period 9211-)	9611-99-1888	9611-99-1888	9611-99-1888
25	1	Back plate	9612-1384-04	9612-1384-04	9612-1384-04
26	1	O-ring, EPDM, (standard)	9611-99-2137	9611-99-2137	9611-99-2137
	1	O-ring, NBR	9611-99-2139	9611-99-2139	9611-99-2139
	1	O-ring, FPM	9611-99-2138	9611-99-2138	9611-99-2138
	1	O-ring, FEP	9611-99-2140	9611-99-2140	9611-99-2140
27	1	Impeller	9612-1312-07	9612-1312-01	9612-1312-01
28	6	Bolt	9611-99-2168	9611-99-2168	9611-99-2168
29	1	Pump casing, IDF	9612-1398-01	9612-1398-01	9612-1398-01
	1	Pump casing, SMS	9612-1398-02	9612-1398-02	9612-1398-02
	1	Pump casing, DIN	9612-1398-03	9612-1398-03	9612-1398-03
	1	Pump casing, ISO	9612-1398-04	9612-1398-04	9612-1398-04
	1	Pump casing, BS	9612-1398-05	9612-1398-05	9612-1398-05
	1	Pump casing, flange DN65/DN50	9612-1380-01	9612-1380-01	9612-1380-01
<b>Legs</b>					
30a	1	Support bar, right	9612-1322-01	9612-1322-05	9612-1322-05
30b	1	Support bar, left	9612-1323-01	9612-1323-05	9612-1323-05
31	4	Leg	9612-3967-01	9612-3967-01	9612-3967-01
32	4	Screw (Period 9711-)	9611-99-1126	9611-99-1126	9611-99-1126
	4	Screw (Period -9711)	9611-99-1907	9611-99-1907	9611-99-1907
33	4	Nut	9611-99-0360	9611-99-0353	9611-99-0353
34	4	Spring washer	9611-99-1888	9611-99-1887	9611-99-1887
35	4	Screw	9611-99-1176	9611-99-1374	9611-99-1911
35a	4	Washer	9611-99-0786	9611-99-0786	9611-99-0786
39	4	Nut		9611-99-0587	
<b>Alternatives</b>					
36	1	Impeller screw	9612-1396-01	9612-1396-01	9612-1396-01
37	1	Impeller for impeller screw	9612-1312-08	9612-1312-02	9612-1312-02
38	1	O-ring EPDM	9611-99-2145	9611-99-2145	9611-99-2145
	1	O-ring NBR	9611-99-2147	9611-99-2147	9611-99-2147
	1	O-ring FPM	9611-99-2148	9611-99-2148	9611-99-2148
	1	O-ring FEP	9611-99-2148	9611-99-2148	9611-99-2148

Pos.	Qty.	Denomination	1.5 kW	2.2 kW	3 kW	4 kW
1	1	Motor, M2AA**				9612-4028-07
	1	Motor, MT/MBT**	31801-1982-1	31801-1983-1	31801-1984-1	*31801-1985-1
	1	Motor, M2AA***				9612-4028-09
	1	Motor, MT/MBT***	31801-1982-2	31801-1983-2	31801-1984-2	*31801-1985-3
2	1	Shroud complete	9612-1390-01	9612-1390-01	9612-1390-02	9612-1390-03
2a	1	Edge list (Included in pos. 2)				
* MBT motor (Period 9009-9310). Not available anymore.						
** 3 -, 50 Hz, 220-240VA/380-420V - Standard						
3 -, 60 Hz, 250-280VA/440-480V - Standard						
*** 3 -, 50 Hz, 380-420VA/660-690V - Option						
3 -, 60 Hz, 440-480VA - Option						

Pos. Qty. Denomination 1.5-4 kW Shaft Seal: See page 58 and 59

Accessories

1 Tool complete 9612-1371-01

Parts for Flushed Shaft Seal

40 1 Seal housing 9612-1339-01  
41 2 Screw for seal housing 9611-99-0203  
42 2 Tube 9612-3589-01

Parts for Double Mechanical Shaft Seal

40a 1 Seal housing 9612-1339-02  
41 2 Screw for seal housing 9611-99-0203  
42 2 Tube 9612-3589-01

Service kit for single shaft seal

□ Service kit, EPDM 9611-92-2072  
□ Service kit, NBR 9611-92-2073  
□ Service kit, FPM 9611-92-2074  
□ Service kit, FEP 9611-92-2075

Service kit for single shaft seal and impeller screw

◆ Service kit, EPDM 9611-92-2114  
◆ Service kit, NBR 9611-92-2115  
◆ Service kit, FPM 9611-92-2116  
◆ Service kit, FEP 9611-92-2117

Service kit for flushed shaft seal

○ Service kit, EPDM 9611-92-2076  
○ Service kit, NBR 9611-92-2077  
○ Service kit, FPM 9611-92-2078  
○ Service kit, FEP 9611-92-2079

Service kit for flushed shaft seal and impeller screw

\* Service kit, EPDM 9611-92-2118  
\* Service kit, NBR 9611-92-2119  
\* Service kit, FPM 9611-92-2120  
\* Service kit, FEP 9611-92-2121

Service kit for double mechanical shaft seal

◇ Service kit, EPDM 9611-92-2206  
◇ Service kit, NBR 9611-92-2207  
◇ Service kit, FPM 9611-92-2208  
◇ Service kit, FEP 9611-92-2209

Service kit for double mechanical shaft seal and impeller screw

● Service kit, EPDM 9611-92-2210  
● Service kit, NBR 9611-92-2211  
● Service kit, FPM 9611-92-2212  
● Service kit, FEP 9611-92-2213

Parts marked with □/◇/○/\*/◆/◇ are included in the service kits.

Recommended Spare Parts: Service kits.

Conversion kit, single to flushed shaft seal 9611-92-2042 = Pos. 10+40+41+42+43+44+45

Conversion kit, single to double mechanical shaft seal 9611-92-2175 = Pos. 14+15+40a+41+42+44+50+51+52. SIC/SIC = 9611-92-2302

Conversion kit, flushed to double mechanical shaft seal 9611-92-2176 = Pos. 14+40a+50+51+52

### Surface roughness, product wetted parts: Ra ≤ 0.8 μm

Pos.	Qty.	Denomination	1.5-2.2 kW	3-4 kW
25	1	Back plate	9612-1384-20	9612-1384-20
27	1	Impeller	9612-1312-15	9612-1312-05
29	1	Pump casing, IDF	9612-4572-01	9612-4572-01
	1	Pump casing, SMS	9612-4572-02	9612-4572-02
	1	Pump casing, DIN	9612-4572-03	9612-4572-03
	1	Pump casing, ISO	9612-4572-04	9612-4572-04
	1	Pump casing, BS	9612-4572-05	9612-4572-05
<b>Alternatives</b>				
36	1	Impeller screw	9612-1396-03	9612-1396-03
37	1	Impeller for impeller screw	9612-1312-16	9612-1312-06