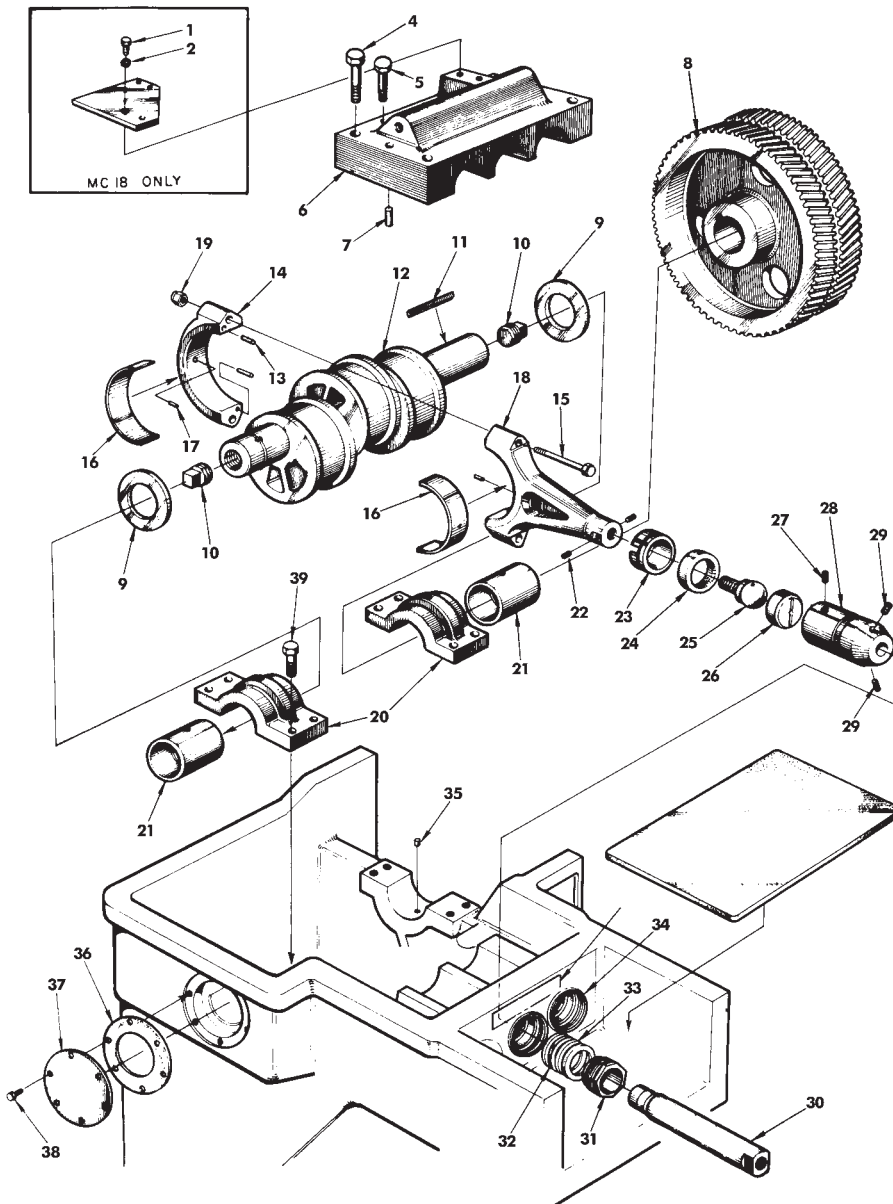


MC SERIES

MC SERIES MAIN DRIVE ASSEMBLY



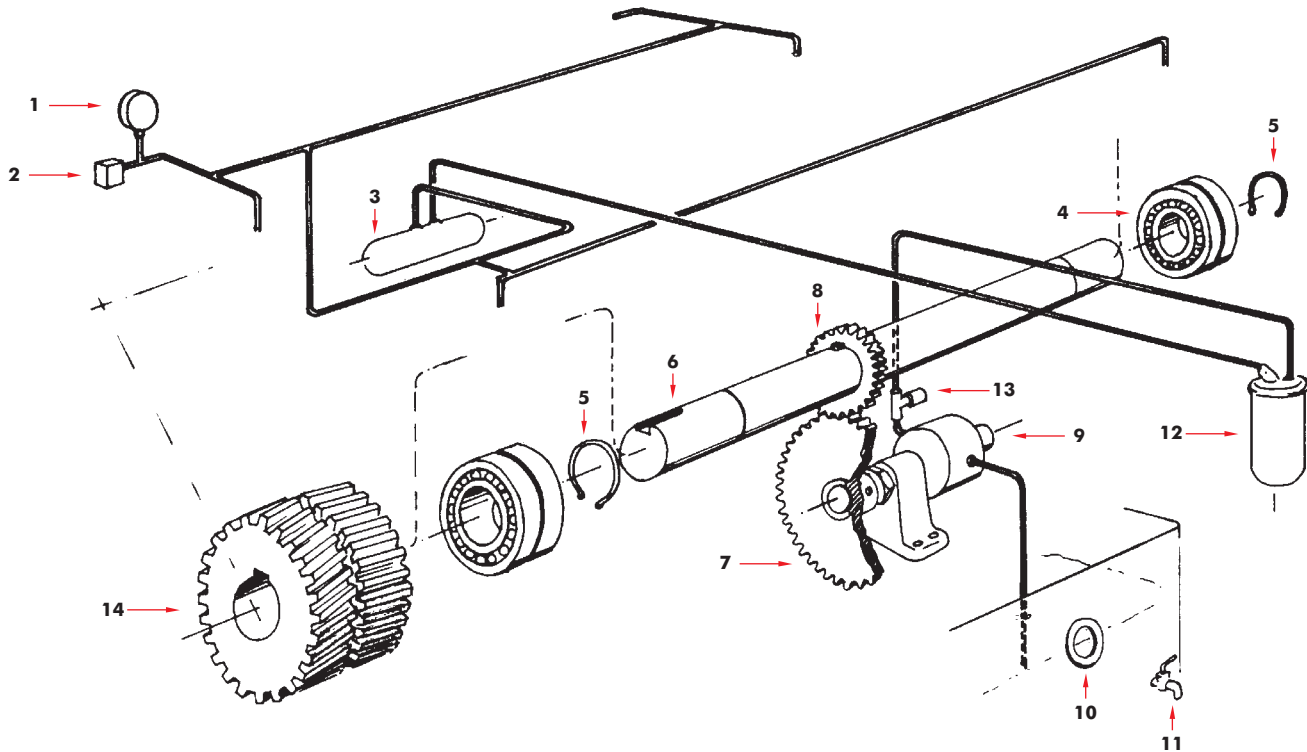
MC SERIES MAIN DRIVE COMPONENTS			
Item	Description	Quant	Part No.
1	Oil Filter Mounting Brkt. Cap Screw	2	
2	Oil Filter Mounting Brkt. Cap Screw Lockwasher	2	
3	Pinion	1	
4 & 5	Crosshead Cover Cap Screw	4	
6	Crosshead Cover	1	
7	Crosshead Cover Dowels	2	
8	Gear	1	
9	Eccentric Shaft Thrust Washer	2	
10	Eccentric Shaft Plug	2	
11	Gear Key	1	
12	Eccentric Shaft Assembly	1	
13	Connecting Rod Dowel	6	
14	Connecting Rod Cap	3	
15	Connecting Rod Bolt	6	
16	Connecting Rod Bearing	6	
17	Connecting Rod Bearing Dowel	6	
18	Connecting Rod	3	
19	Connecting Rod Nut	6	
20	Eccentric Bearing Cap	2	
21	Eccentric Shaft Bearing	2	
22	Crosshead Bearing Ball Set Screw	6	
23	Crosshead Bearing Retainer Nut	3	
24	Crosshead Bearing Retainer	3	
25	Crosshead Bearing Ball	3	
26	Crosshead Bearing	3	
27	Crosshead Set Screw	3	
28	Crosshead	3	
29	Plunger Adapter Set Screw	6	
30	Plunger Adapter	3	
31	Packing Adjusting Screw	3	
32	Baffle Seal Packing	6	
33	Baffle Wiper Ring	6	
34	Baffle Stuffing Box	3	
35	Eccentric Shaft Bearing Dowel	2	
36	Eccentric Shaft Cover Plate Gasket	1	
37	Eccentric Shaft Cover Plate	1	
38	Eccentric Shaft Cover Plate Cap Screw	6	
39	Bearing Cap Screw	8	



Customers!
Please enter part numbers specific to your machine in the column provided.




MC SERIES LOWER DRIVE ASSEMBLY COMPONENTS



MC SERIES LOWER DRIVE COMPONENTS		
Item	Description	Part No.
1	Oil pressure gauge	
2	Low oil pressure cut out switch	
3	Oil cooler	
4	Drive shaft bearing	
5	Drive shaft bearing circlip	
6	Drive shaft	
7	Oil Pump driving gear	
8	Oil pump driven gear	
9	Mechanical oil pump	
10	Oil level glass	
11	Oil drain tap	
12	Oil filter cartridge	
13	Oil pressure relief 50-150psi	
14	Main transmission gears	

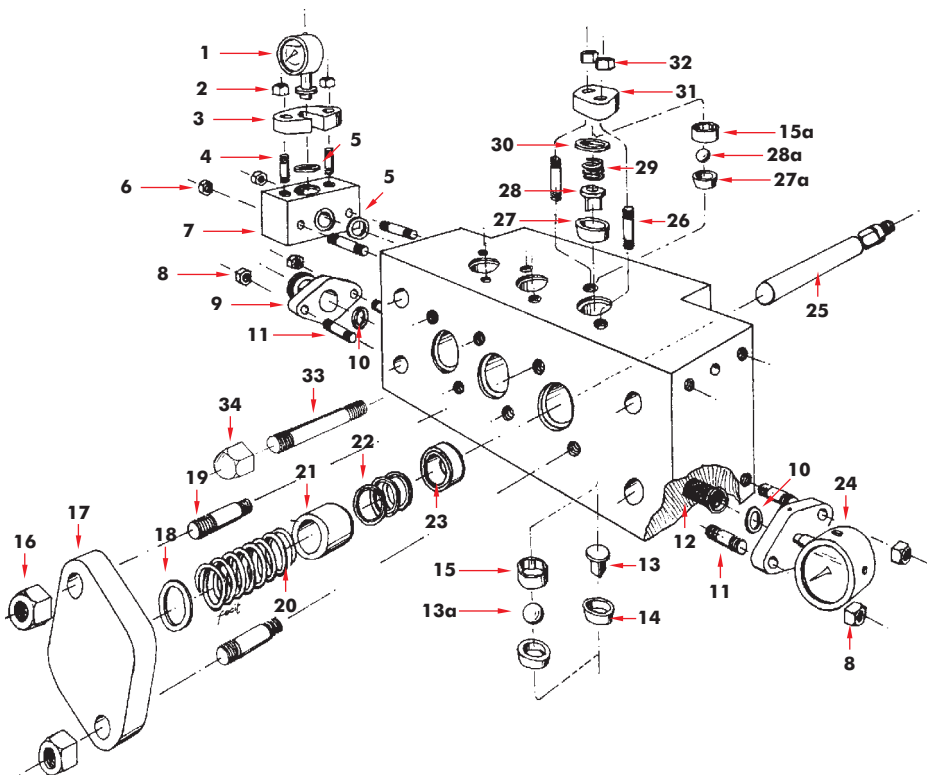
Customers!
Please enter part numbers specific to your machine in the column provided.




MC SERIES BLOCK



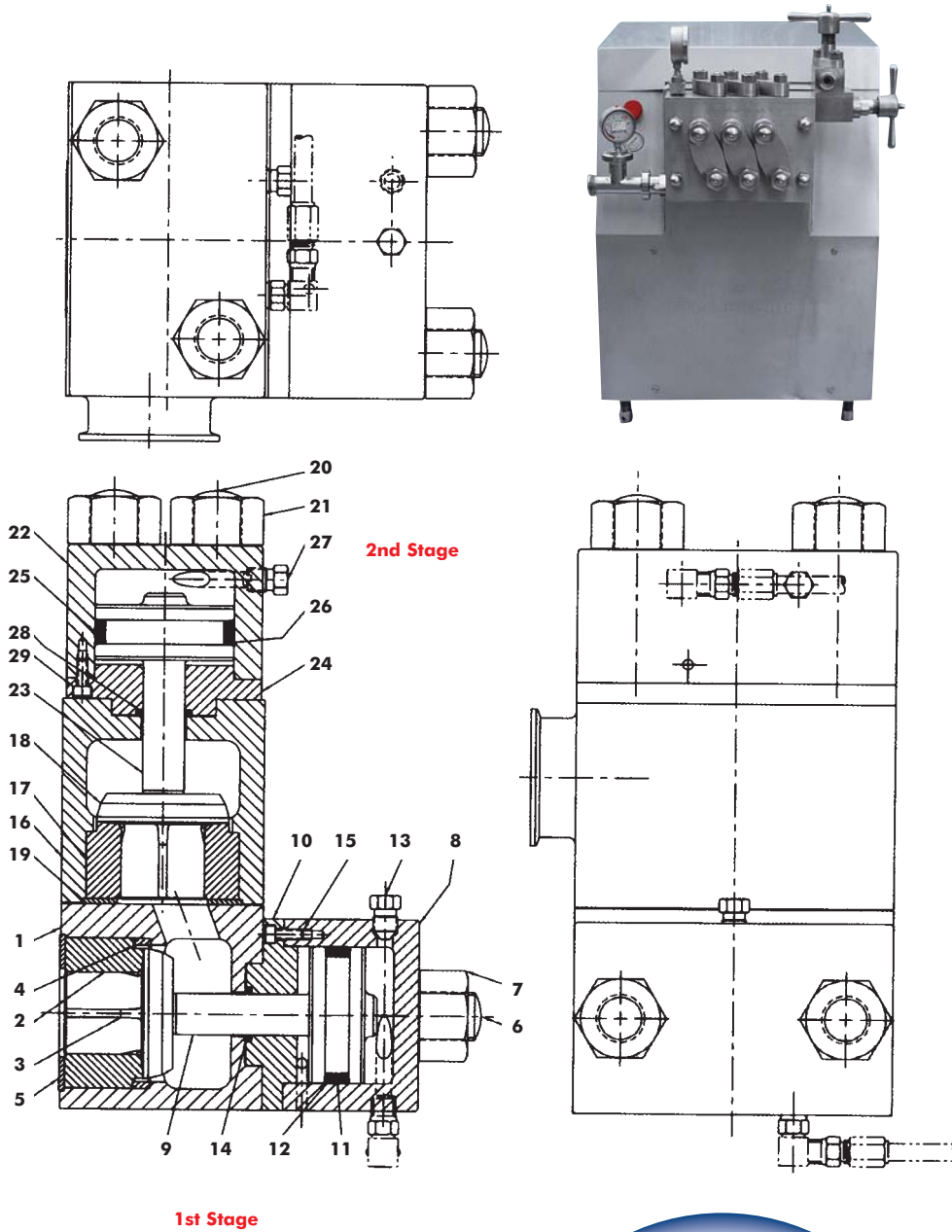
Customers!
Please enter part numbers specific to your machine in the column provided.



MC SERIES BLOCK COMPONENTS		
Item	Description	Part No.
1	Product Pressure Gauge	
2	Styrrup Clamp Stud Nut	
3	Styrrup Clamp	
4	Styrrup Clamp Stud	
5	Gauge & Gauge Block Gasket	
6	Gauge Block Stud Nut	
7	Gauge Block	
8	Cylinder Inlet Stud Nut	
9	Cylinder Inlet Flange	
10	Cylinder Inlet Gasket	
11	Cylinder Inlet Stud	
12	Strainer	
13	Suction Valve - Poppet	
13a	Suction Valve - Ball	
14	Suction Valve Seat - Poppet	
14a	Suction Valve Seat - Ball	
15	Suction Valve Guide - Poppet	
15a	Suction Valve Guide - Ball	
16	Front Cylinder Cap Stud Nut	
17	Front Cylinder Cap	
18	Front Cylinder Cap Gasket	
19	Front Cylinder Cap Stud	
20	Packing Adjusting Spring	
21	Piston Ring	
22	Piston Packing Ring	
23	Packing Adjusting Ring	
24	Infeed Pressure Gauge	
25	Piston	
26	Upper Cylinder Cap Stud	
27	Discharge Valve Seat - Poppet	
27a	Discharge Valve Seat - Ball	
28	Discharge Valve - Poppet	
28a	Discharge Valve - Ball	
29	Discharge Valve Spring	
30	Upper Cylinder Cap Gasket	
31	Upper Cylinder Cap	
32	Upper Cylinder Cap Stud Nut	
33	Cylinder Block Stud	
34	Cylinder Block Stud Nut	


MC SERIES

Two-Stage HVA VALVE



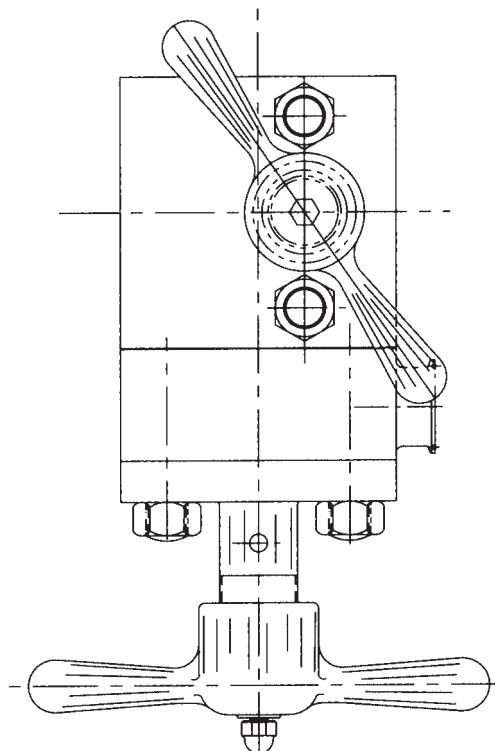
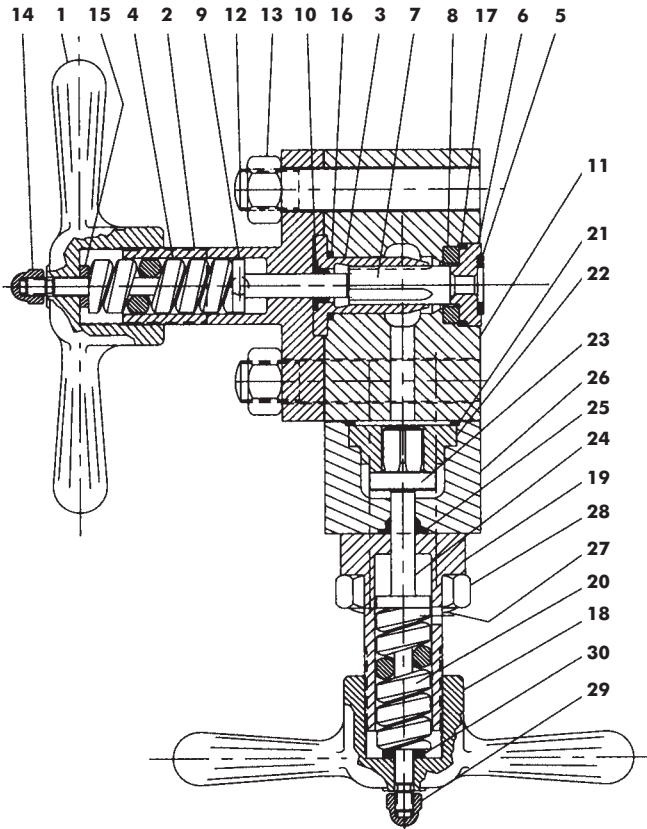
MC SERIES TWO-STAGE HVA VALVE		
Item	Description	Part No.
FIRST STAGE		
1	Valve Body	
2	Homogeniser Valve Seat	
3	Homogeniser Valve	
4	Impact Ring	
5	Valve Seat Gasket	
6	Valve Body (Stud)	
7	Valve Body (Stud Nut)	
HVA FIRST STAGE		
8	Actuator Body	
9	Actuator Valve Rod	
10	Actuator Guide Plate	
11	Actuator Seal O-Ring	
12	Actuator Seal (Back-Up Ring)	
13	Vent Plug	
14	Valve Rod Seal	
15	Actuator Body Screw	
SECOND STAGE		
16	Valve Body	
17	Homogeniser Valve Seat	
18	Homogeniser Valve	
19	Valve Seat Gasket	
20	Valve Body (Stud)	
21	Valve Body (Stud Nut)	
HVA SECOND STAGE		
22	Actuator Body	
23	Actuator Valve Rod	
24	Actuator Guide Plate	
25	Actuator Seal O-Ring	
26	Actuator Seal (Back-Up Ring)	
27	Vent Plug	
28	Valve Rod Seal	
29	Actuator Body Screw	

Customers!
Please enter part numbers specific to your machine in the column provided.



MC SERIES

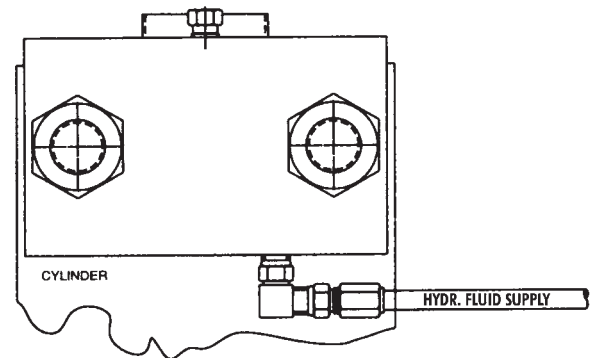
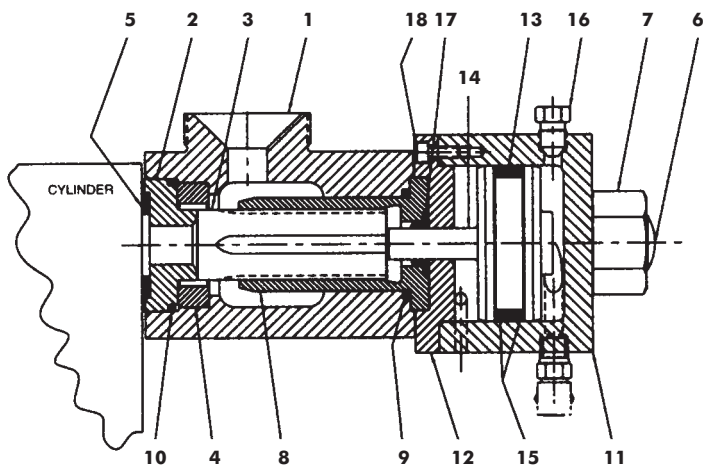
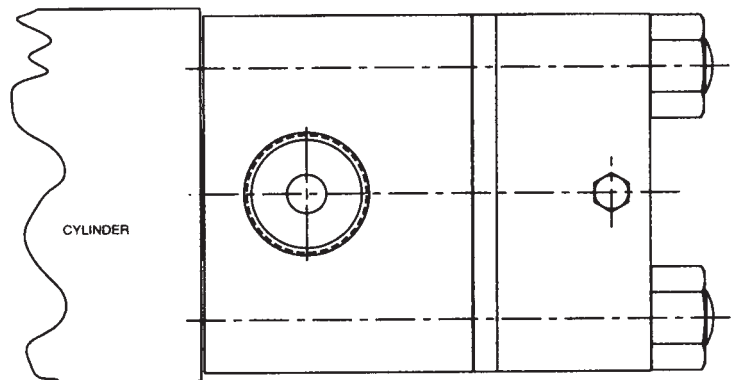
Two-Stage Manual Valve



MC SERIES TWO-STAGE MANUAL VALVE		
Item	Description	Part No.
FIRST STAGE		
1	Handwheel	
2	Handwheel Support	
3	Valve Guide	
4	Valve Rod Spring	
5	Valve Seat Gasket	
6	Valve Seat	
7	Valve	
8	Impact Ring	
9	Valve Rod	
10	Valve Rod Packing	
11	Valve Body	
12	Valve Body (Stud)	
13	Valve Body (Stud Nut)	
14	Valve Body Cap Nut	
15	Valve Rod Washer	
16	Valve Guide Gasket	
17	Valve Seat O-Ring	
SECOND STAGE VALVE		
18	Handwheel	
19	Handwheel Support	
20	Valve Spring	
21	Valve Seat Gasket	
22	Valve Seat	
23	Valve	
24	Valve Rod	
25	Valve Rod Packing	
26	Valve Body	
27	Valve Body (Stud)	
28	Valve Body (Stud Nut)	
29	Valve Body Cap Nut	
30	Valve Rod Washer	

MC SERIES

Single-Stage HVA Valve



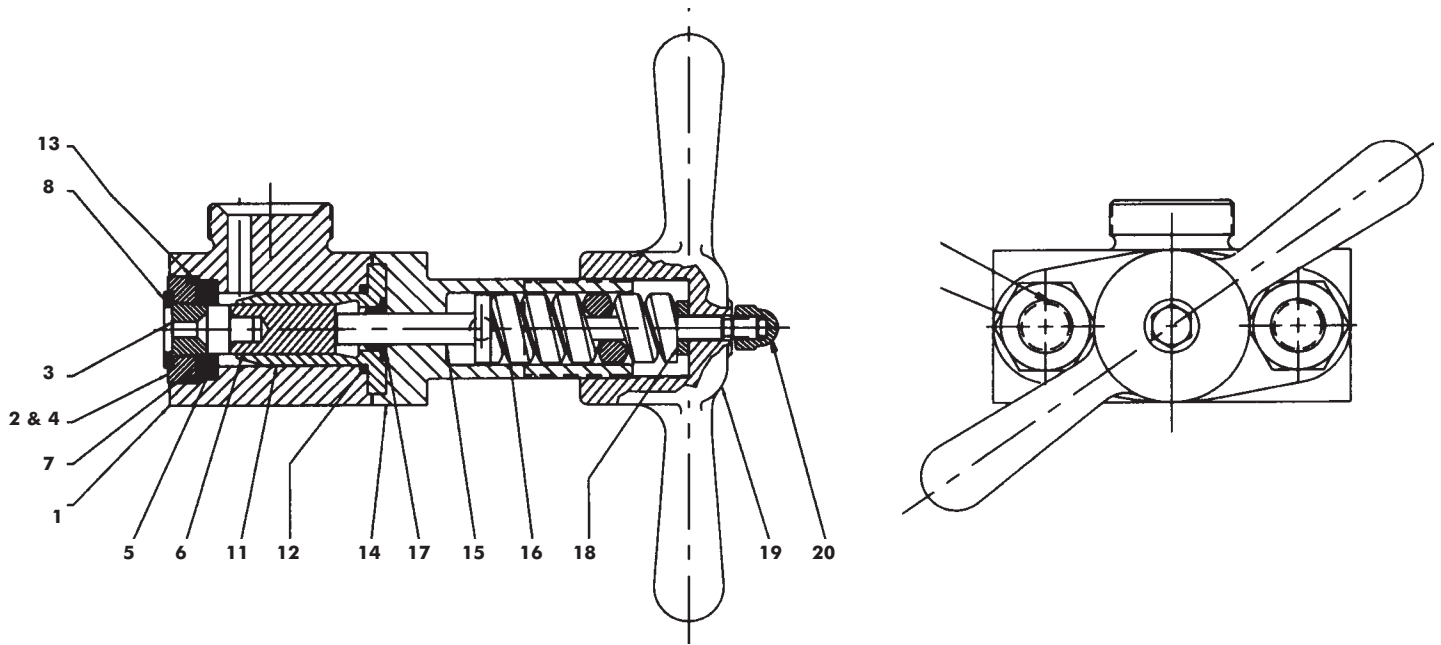
MC SERIES SINGLE-STAGE HVA VALVE		
Item	Description	Part No.
1	Valve Body	
2	Homogeniser Valve Seat	
3	Homogeniser Valve	
4	Impact Ring	
5	Valve Seat Gasket	
6	Valve Body (Stud)	
7	Valve Body (Stud Nut)	
8	Valve Guide	
9	Valve Guide Gasket	
10	Valve Seat O-Ring	
11	Actuator Body	
12	Actuato Guide Plate	
13	Actuator Seal O-Ring	
14	Actuator Valve Rod	
15	Actuator Seal (Back-Up Ring)	
16	Vent Plug	
17	Valve Rod Seal	
18	Actuator Body Screw	

Customers!
Please enter part numbers specific to your machine in the column provided.




MC SERIES

Single-Stage Manual Valve



MC SERIES SINGLE-STAGE MANUAL VALVE		
Item	Description	Part No.
1	Valve Body	
2	Homogeniser Valve Seat Assembly (Items 3 & 4)	
3	Valve Seat	
4	Valve Seat Holder	
5	Valve	
6	Valve Holder	
7	Impact Ring	
8	Valve Seat Gasket	
9	Valve Body (Stud)	
10	Valve Body (Stud Nut)	
11	Valve Guide	
12	Valve Guide Gasket	
13	Valve Seat O-Ring	
14	Handwheel Support	
15	Valve Rod	
16	Valve Rod Spring	
17	Valve Rod (Packing)	
18	Valve Rod (Washer)	
19	Handwheel Support	
20	Valve Rod Cap Nut	

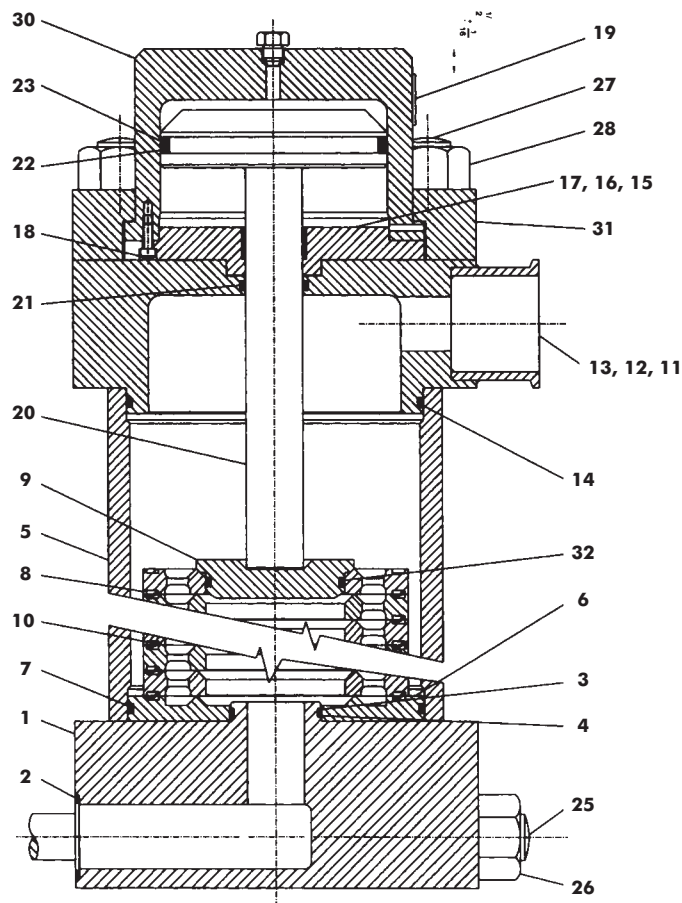
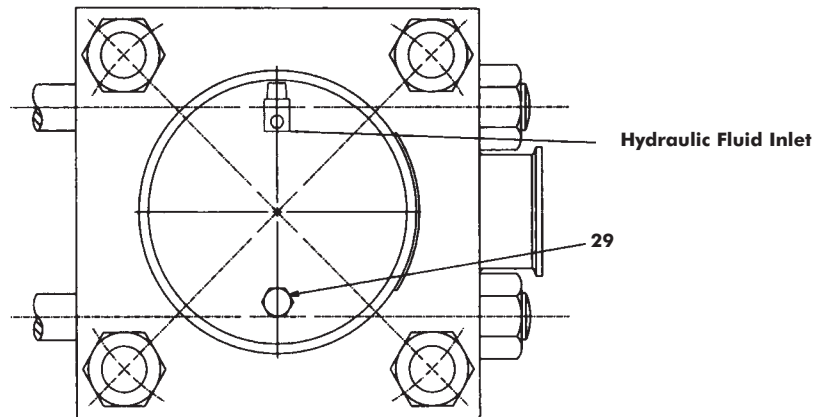
Customers!
Please enter part numbers specific to your machine in the column provided.




MC SERIES

Micro-Gap Valve Assembly

MC MICRO-GAP VALVE ASSEMBLY		
Item	Description	Part No.
1	Inlet Flange	
2	Inlet Flange Gasket	
3	Inlet Flange O-Ring Gasket	
4	Inlet Flange O-Ring Gasket (Back-Up Ring)	
5	Micro-Gap Valve Body	
6	Micro-Gap Base Valve	
7	Micro-Gap Base Valve Gasket	
8	Micro-Gap Valve	
9	Top Valve Plug	
10	Micro-Gap Valve Spring	
11	Discharge Flange Assembly	
12	Discharge Flange Assembly	
13	Ferrule	
14	Discharge Flange Gasket	
15	Actuator Guide Plate Assembly	
16	Actuator Guide Plate	
17	Actuator Guide Plate Bushing	
18	Actuator Body Screw	
19	Sticker (Patent Identification)	
20	Actuator Rod	
21	Actuator Rod Seal	
22	Actuator Rod (Back-Up Ring)	
23	Actuator Road O-Ring	
24	Back Pressure Gauge	
25	Inlet Flange (Stud)	
26	Inlet Flange (Stud Nut)	
27	Micro-Gap Assembly (Stud)	
28	Micro-Gap Assembly (Stud Nut)	
29	Vent Plug	
30	Actuator Body Screw	
31	Actuator Body Clamp	
32	Top Valve Plug O-Ring	
33	Flow Restrictor	
34	Tri-Clamp Tee	
35	Tri-Clamp	
36	Tri-Clamp Gasket	
37	Tri-Clamp Cap	



Customers!
Please enter part numbers specific to your machine in the column provided.

moody

