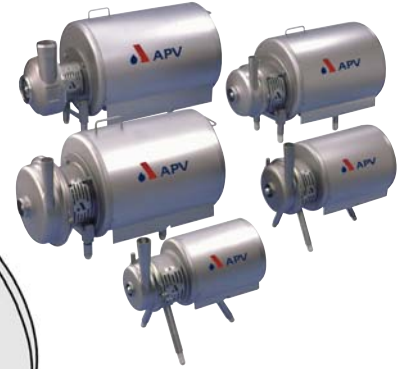
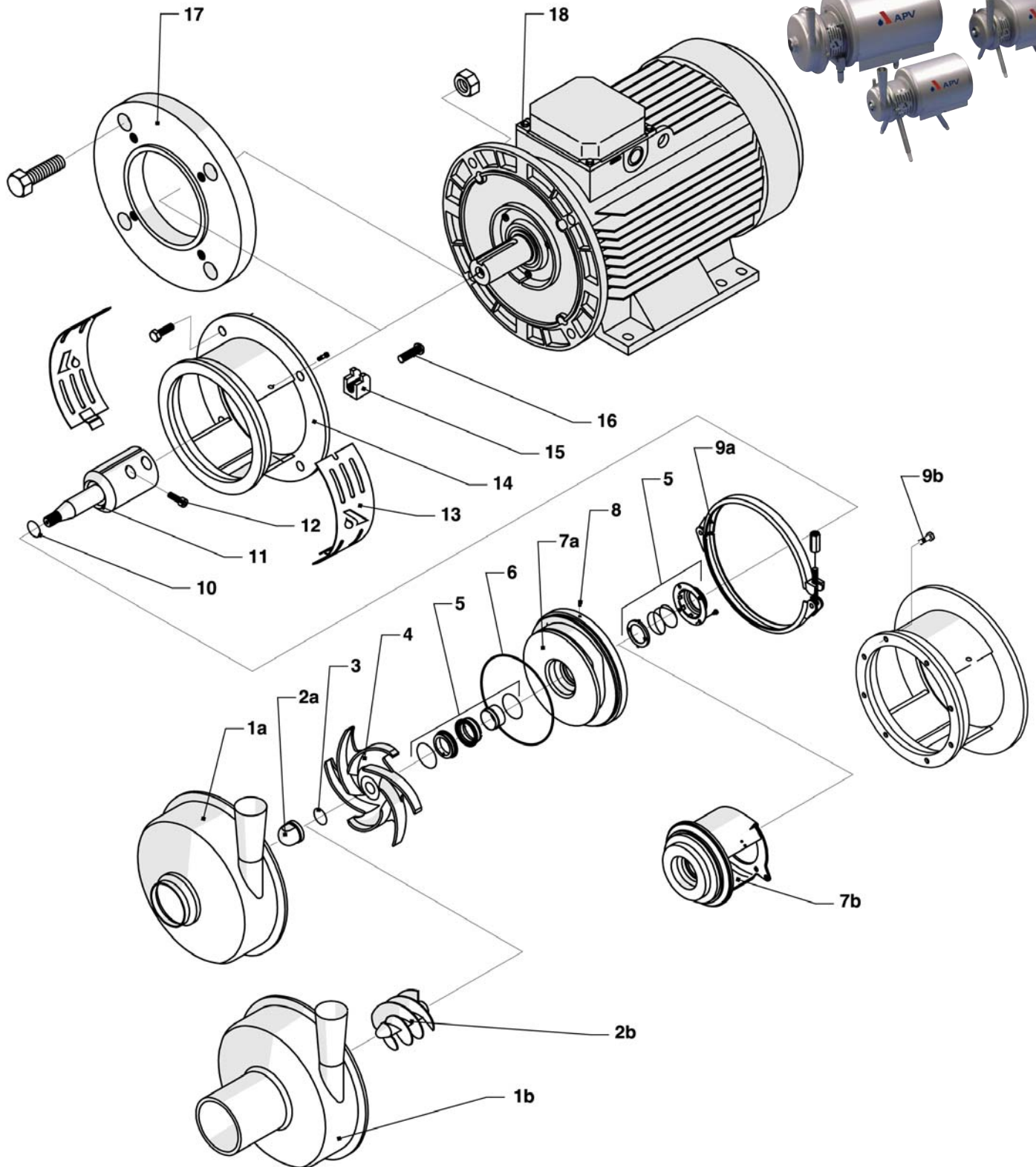




W+ Pump Complete



FREEFAX:

0800 801404



W+ Pump Complete (contd)

Pos	Stk/Qty	Description	PUMP TYPE							
			W+10/8	W+22/20	W+30/80	W+25/210	W+35/35	W+35/55	W+30/120	W+50/8
			Part No.							
1a	1	Pumphousing	188710	168838	182702	253416	182645	182703	182704	168644
1b	1	Inducer housing		183127	182709		188515	182710	188518	
2a	1	Cap nut	274351	260058	260058	260059	260058	260058	260059	274351
2b	1	Inducer		261540	188142		261540	188142	188144	
3*	1	O-ring EPDM	773038	772489	772489	772491	772489	772489	772491	773038
		Viton	773039	772490	772490	772492	772490	772490	772492	773039
4	1	Impeller	s/p22	s/p22	s/p22	s/p22	s/p22	s/p22	s/p22	s/p22
5*	1	Shaft Seal	s/p23	s/p23	s/p23	s/p23	s/p23	s/p23	s/p23	s/p23
6*	1	O-ring EPDM	773078	770006	771627	770041	771627	771627	771630	771711
		Viton	773079	770007	771628	770042	771628	771628	771631	771712
7a	1	Back Plate			260934	260945	260935	260936	260937	260920
7b	1	Back Plate	188735**	261566**						
8	1	Pin			772493		772493	772493	772493	
9a	1	Clamp Ring	169050	188430	188436		188436	188436	188432	188431
9b	8	Screw M8/M10				756001				
10*	1	O-ring EPDM	773038	771621	771621	771624	771621	771621	771624	773038
		Viton	773039	771622	771622	771625	771622	771622	771625	773039
11	1	Shaft	s/p24/25	s/p24/25	s/p24/25	s/p24/25	s/p24/25	s/p24/25	s/p24/25	s/p24/25
12	2	Screw	s/p24/25	s/p24/25	s/p24/25	s/p24/25	s/p24/25	s/p24/25	s/p24/25	s/p24/25
13	2	Shaft Guard	***	-	-	-	-	-	-	-
14	1	Extension Frame	***	-	-	-	-	-	-	-
15	2	Bracket (Screw)			268499	701509	268499	268499	268499	268499
16	2	Screw			701942	771199	701942	701942	701942	701942
17	1	Washer	***	-	-	-	-	-	-	-
18	1	Motor	***	-	-	-	-	-	-	-
			W+55/35	W+55/60	W+60/110	W+65/350	W+70/40	W+80/80	W+110/130	
1a	1	Pumphousing	182646	182647	182705	253421	182706	168619	253420	
1b	1	Inducer housing	188516	182711	188519		188517	182712	183138	
2a	1	Cap nut	260058	260059	260059	260059	260059	260059	260059	
2b	1	Inducer	261540	188143	188144		261541	188143	188144	
3*	1	O-ring EPDM	772489	772491	772491	772491	772491	772491	772491	
		Viton	772490	772492	772492	772492	772492	772492	772492	
4	1	Impeller	s/p22	s/p22	s/p22	s/p22	s/p22	s/p22	s/p22	
5*	1	Shaft Seal	s/p23	s/p23	s/p23	s/p23	s/p23	s/p23	s/p23	
6*	1	O-ring EPDM	771630	771630	771705	770015	771708	771714	771717	
		Viton	771631	771631	771706	770016	771709	771715	771718	
7a	1	Back Plate	260939	260940	260941	260946	260942	260943	260944	
8	1	Pin	772493	772493	772493		772493	772493		
9a	1	Clamp Ring	188432	188432	188433		188434	188435		
9b	8	Screw M8/M10				700234			701669	
10*	1	O-ring EPDM	771621	771624	771624	771624	771624	771624	771624	
		Viton	771622	771625	771625	771625	771625	771625	771625	
11	1	Shaft	s/p24/25	s/p24/25	s/p24/25	s/p24/25	s/p24/25	s/p24/25	s/p24/25	
12	2	Screw	s/p24/25	s/p24/25	s/p24/25	s/p24/25	s/p24/25	s/p24/25	s/p24/25	
13	2	Shaft Guard	***	-	-	-	-	-	-	
14	1	Extension Frame	***	-	-	-	-	-	-	
15	2	Bracket (Screw)			268499	234177	268499	268499	701669	
16	2	Screw			701942	700241	701942	701942	701686	
17	1	Washer	***	-	-	-	-	-	-	
18	1	Motor	***	-	-	-	-	-	-	

* Special seal see page 23

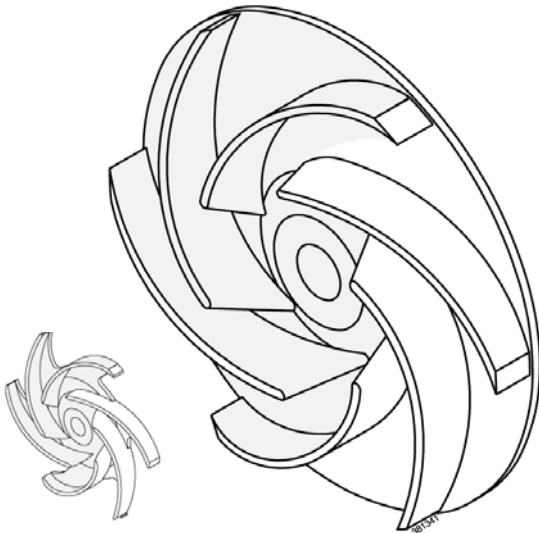
** Integrated with extension frame Pos.14

s/p(xx)= See page (no.)

*** Call in with pump serial number & dimensions to obtain correct part number.



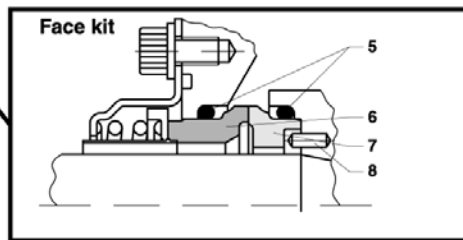
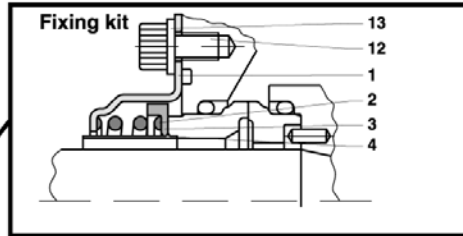
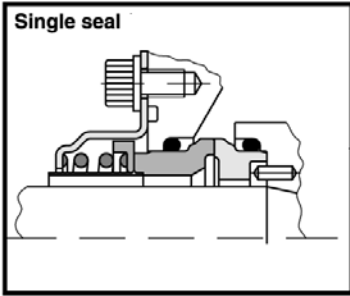
W+ Pump Impeller



IMPELLER DIAMETER	PUMP TYPE				
	W+22/20	W+30/80	W+35/35	W+35/55	W+50/8
PART NO.					
Ø200					267328
Ø195					273889
Ø190					273890
Ø185					273891
Ø180				253740	273892
Ø175			253739	267492	273893
Ø170		253738	267481	267493	273894
Ø165		267469	267482	267494	273895
Ø160		267470	267483	267495	273896
Ø155		267471	267484	267496	273897
Ø150		267472	267485	267497	273898
Ø145		267473	267486	267498	273899
Ø140	253737*	267474	267487	267499	273900
Ø135	267460	267475	267488	267500	
Ø130	267461	267476	267489	267501	
Ø125	267462	267477	267490	267502	
Ø120	267463	267478	267491	267503	
Ø115	267464	267479			
Ø110	267465	267480			
Ø105	267466				
Ø100	267467				
Ø95	267468				

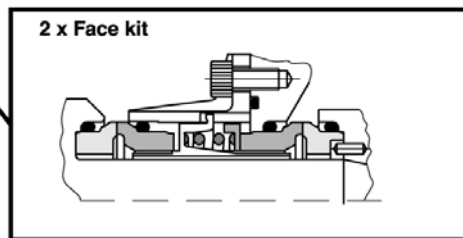
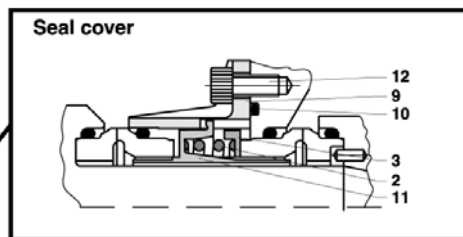
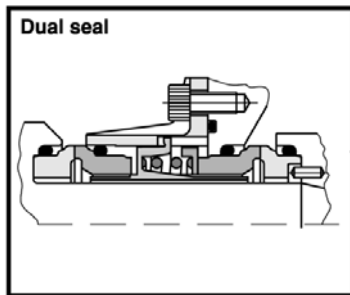
IMPELLER DIAMETER	PUMP TYPE									
	W+10/8	W+30/120	W+55/35	W+55/60	W+60/110	W+70/40	W+80/80	W+110/130	W+25/210	W+65/350
PART NO.										
Ø290								253748	253749	
Ø285								267680	267700	
Ø280								267681	267701	
Ø275								267682	267702	
Ø270								267683	267703	
Ø265								267684	267704	
Ø260								267685	267705	253750
Ø255							253747	267686	267706	267716
Ø250							267559	267687	267707	267717
Ø245							267560	267688	267708	267718
Ø240						253746	267561	267689	267709	267719
Ø235							267549	267562	267690	267720
Ø230					253745	267550	267563	267691	267711	267721
Ø225					267535	267551	267564	267692	267712	267722
Ø220				253744	267536	267552	267565	267693	267713	267723
Ø215				267523	267537	267553	267566	267694	267714	267724
Ø210			253743	267524	267538	267554	267567	267695	267715	267725
Ø205			267512	267525	267539	267555	267568	267696		267726
Ø200			267513	267526	267540	267556	267569	267697		267727
Ø195			267514	267527	267541	267557	267570			267728
Ø190			267515	267528	267542	267558				267729
Ø185			267516	267529	267543					
Ø180			267517	267530	267544					
Ø175		253741	267518	267531	267545					
Ø170		267504	267519	267532	267546					
Ø165		267505	267520	267533	267547					
Ø160		267506	267521	267534	267548					
Ø155		267507	267522							
Ø150		267508								
Ø145		267509								
Ø140		267510								
Ø135		267511								
Ø110	267324									
Ø105	273885									
Ø100	273886									
Ø95	273887									
Ø90	273888									

APV W+ Pump Shaft Seal



POS	DESCRIPTION	MATERIAL	SHAFT SIZE	
			Ø25*	Ø35*
1-2-3-4	Complete for single seal fixing kit	AISI 316L	772460	772465
5-6-7-8	For single or double seal face kit	SiC/Carbon EPDM	772461	772466
		SiC/Carbon Viton	772462	772467
		SiC/SiC EPDM	772463	772468
		SiC/SiC Viton	772464	772469
12	4 off screw		770496	770496
13	4 of Washer M6		701477	701477

*Pump type see page 24/25



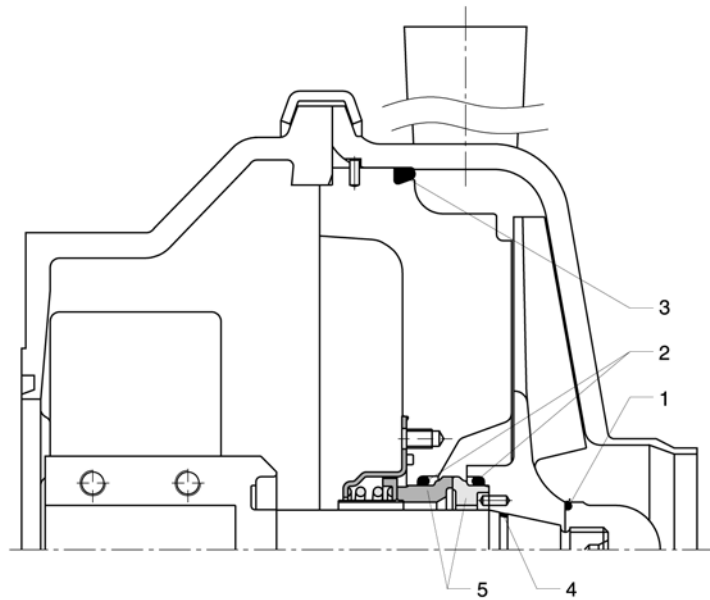
POS	DESCRIPTION	MATERIAL	SHAFT SIZE	
			Ø25*	Ø35*
2-3-9-11	Complete seal housing for double seal	AISI 316L	194448	194449
10	O-ring	EPDM	772470	771362
12	4 off screw		770496	770496

Elastomer kit

5	2 off o-ring	EPDM	772575	772577
		Viton	772576	772578
4	draining cylinder	PTFE	77310	773101

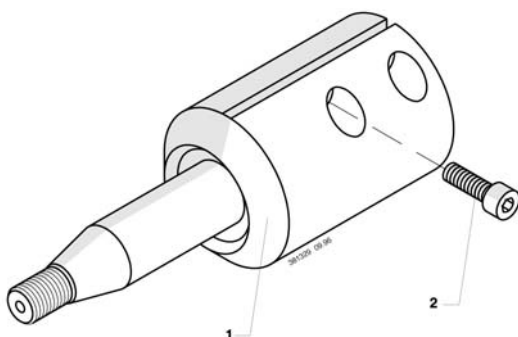
*Pump type see page 24/25

W+ Pump Standard Seal Kit



			PUMP TYPE							
			W+10/8	W+22/20	W+30/80	W+25/210	W+35/35	W+35/55	W+30/120	W+50/8
Complete	Stk/Qty	Material	Part No.							
1-2-3-4-5	-	EPDM - SiC/SiC	800875	800800	800801	800802	800803	800804	800805	800876
1-2-3-4-5	-	EPDM - SiC/Carbon	800877	800915	800916	800917	800918	800919	800920	800878
1-2-3-4-5	-	Viton - SiC/SiC	800871	800813	800814	800815	800816	800817	800818	800872
1-2-3-4-5	-	Viton - SiC/Carbon	800873	800928	800929	800930	800931	800932	800933	800874
1-2-3-4	1-2	EPDM								
1-2-3-4	1-2	Viton								
5	1	SiC/SiC								
5	1	SiC/Carbon								
			W+55/35	W+55/60	W+60/110	W+65/350	W+70/40	W+80/80	W+110/130	
1-2-3-4-5	-	EPDM - SiC/SiC	800806	800807	800808	800809	800810	800811	800812	
1-2-3-4-5	-	EPDM - SiC/Carbon	800921	800922	800923	800924	800925	800926	800927	
1-2-3-4-5	-	Viton - SiC/SiC	800819	800820	800821	800822	800823	800824	800825	
1-2-3-4-5	-	Viton - SiC/Carbon	800934	800935	800936	800937	800938	800939	800940	
1-2-3-4	1-2	EPDM								
1-2-3-4	1-2	Viton								
5	1	SiC/SiC								
5	1	SiC/Carbon								

W+ Pump Shaft



PUMP TYPE	MOTOR					
	80	90	100	112	132	160
	SHAFT Ø25					
W+10/8	273844					
W+22/20	261546					
W+30/80		261559	261560	261560	261547	
W+35/35		261559	261560	261560	261547	261548
W+35/55		261559	261560	261560	261547	261548
W+50/8		267329	267330	267330	267331	
W+55/35		261559	261560	261560	261547	261548
Pos.2						
6ty	1	1	2	2	2	2
8 crew	701942	771199	771199	771199	771199	771199

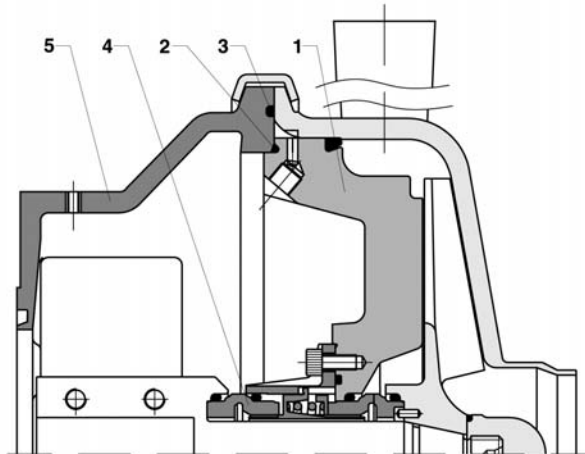
APV W+ Pump Shaft (contd)

PUMP TYPE	MOTOR								
	90	100	112	132	160	180	200	225	250
SHAFT Ø35									
W+25/210					261551	261563	261552	261552	
W+30/120	261561	261562	261562	261550	261551	261563	261552		
W+55/60	261561	261562	261562	261550	261551	261563	261552		
W+60/110	261561	261562	261562	261550	261551	261563	261552	261552	
W+65/350				261550	261551	261563	261552	261552	261554
W+70/40	261561	261562	261562	261550	261551	261563	261552		
W+80/80	261561	261562	261562	261550	261551	261563	261552	261552	261554
W+110/130		261562	261562	261550	261551	261563	261552	261552	261554
Pos.2									
Quantity	2	2	2	2	2	2	2	2	3
Screw	771199	771199	771199	771199	771199	771199	701231	701231	701231

APV Aseptic Centrifugal Pump WA+

This is a supplement for the standard W+ pump.

The positions shown are included as standard in Wa+. The remaining components: See standard W+ section.



POS	QTY	DESCRIPTION	Wa+10/8	Wa+22/20	Wa+30/80	Wa+30/120	Wa+35/35	Wa+35/55
1	1	Back plate	*188739	***261576	261577	261580	261578	261579
2	1	O-ring			772570	772571	772570	772570
3	1	O-ring	773080	772594	771905	771908	771905	771905
4	1	Shaft seal - see page 19 in the standard manual for W+ Pumps						
*5	1	Extension frame						
		Motor 80-112	***188739	***261576				
		Motor 90-132			261586	274346	261586	261586
		Motor 160-250			261587	274347	261587	261587

POS	QTY	DESCRIPTION	Wa+50/8	Wa+55/35	Wa+55/60	Wa+60/110	Wa+70/40	Wa+80/80
**1	1	Back plate	182799	261581	261582	261583	261584	261585
2	1	O-ring	772571	772571	772571	772572	772573	772574
3	1	O-ring	773087	771907	771907	771909	772047	772593
4	1	Shaft seal - see page 19 in the standard manual for W+ Pumps						
*5	1	Extension frame						
		Motor 80-112						
		Motor 90-132	800869	261588	261588	261590	261592	261594
		Motor 160-250		261589	261589	261591	261593	261595

* Replace item No. 1 at page 56 in the standard manual for W+ pumps.

** Replace item No. 7 at page 49 in the standard manual for W+ pumps.

*** Identical drawing no. for backplate and extension frame.