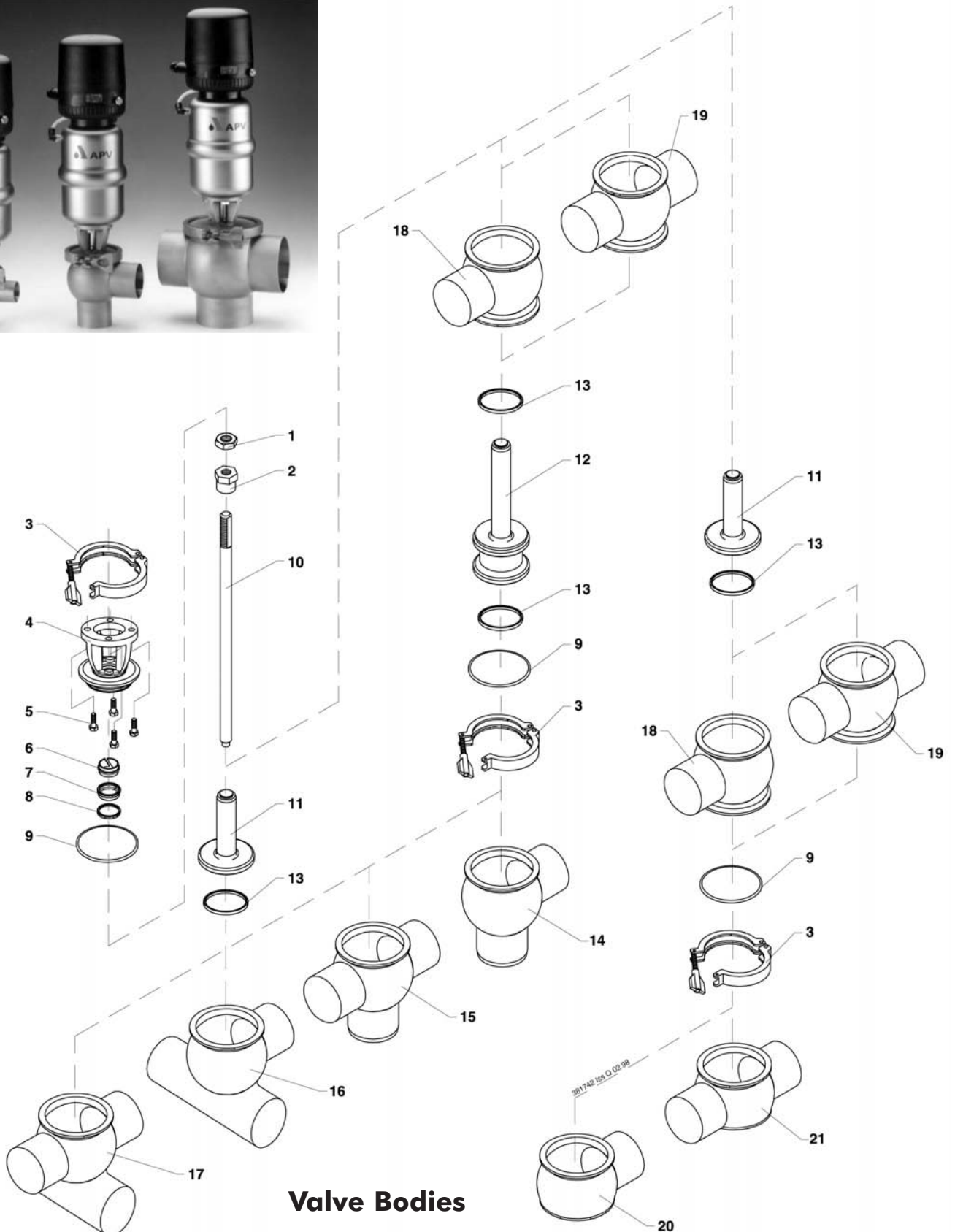


**APV Delta SW4 Single Seal Valve**



**Valve Bodies**



## Delta SW4 Single Seal Valve Bodies (contd)

|      |     |                           | Ø25          | Ø38          | Ø51          | Ø63.5        | Ø76          | Ø101.6       |
|------|-----|---------------------------|--------------|--------------|--------------|--------------|--------------|--------------|
| Item | Qty | Description               | Part No.     |              |              |              |              |              |
| 1    | 1   | Nut                       | 65-50-101/15 | 65-50-101/15 | 65-50-101/15 | 65-50-101/15 | 65-50-101/15 | 65-50-101/15 |
| 2    | 1   | Center Washer             | 15-28-940/12 | 15-28-940/12 | 15-28-940/12 | 15-28-940/12 | 15-28-940/12 | 15-28-940/12 |
| 3    | 1-2 | Clamp                     | 42-40-287/17 | 42-40-387/17 | 42-40-437/17 | 42-40-487/17 | 42-40-537/17 | 42-40-637/17 |
| 4    | 1   | Yoke                      | 15-40-960/47 | 15-40-961/47 | 15-40-962/47 | 15-40-964/47 | 15-40-965/47 | 15-40-967/47 |
| 5    | 4   | Screw                     | 65-01-081/15 | 65-01-081/15 | 65-01-081/15 | 65-01-081/15 | 65-01-083/15 | 65-01-083/15 |
| 6    | 1   | Bushing                   | 08-01-178/93 | 08-01-178/93 | 08-01-178/93 | 08-01-178/93 | 08-01-178/93 | 08-01-178/93 |
| 7    | 1   | Shaft Seal                | 58-33-150/26 | 58-33-150/26 | 58-33-150/26 | 58-33-150/26 | 58-33-150/26 | 58-33-150/26 |
| 8    | 1   | Seat Seal                 | 58-33-293/** | 58-33-293/** | 58-33-293/** | 58-33-293/** | 58-33-293/** | 58-33-293/** |
| 9    | 1-2 | Body Seal                 | 58-33-267/** | 58-33-292/** | 58-33-124/** | 58-33-125/** | 58-33-126/** | 58-33-127/** |
| 10   | 1   | Guide Rod                 | 15-23-850/12 | 15-23-850/12 | 15-23-851/12 | 15-23-851/12 | 15-23-852/12 | 15-23-852/12 |
| 11   | 1   | Shaft-Single              | 15-25-303/42 | 15-25-403/42 | 15-25-453/42 | 15-25-503/42 | 15-25-553/42 | 15-25-653/42 |
| 12   | 1   | Shaft-double              | 15-25-304/42 | 15-25-404/42 | 15-25-454/42 | 15-25-504/42 | 15-25-554/42 | 15-25-654/42 |
| 13   | 1-2 | Seat Seal                 | 58-33-293/** | 58-33-393/** | 58-33-443/** | 58-33-109/** | 58-33-568/** | 58-33-643/** |
| 14   | 1   | L - Valve Body            | 15-60-315/47 | 15-60-415/47 | 15-60-465/47 | 15-60-515/47 | 15-60-565/47 | 15-60-665/47 |
| 15   | 1   | T - Valve Body            | 15-61-315/47 | 15-61-415/47 | 15-61-465/47 | 15-61-515/47 | 15-61-565/47 | 15-61-665/47 |
| 16   | 1   | KLT - Valve Body          | 15-66-305/47 | 15-66-405/47 | 15-66-455/47 | 15-66-505/47 | 15-66-555/47 | 15-66-655/47 |
| 17   | 1   | KTT - Valve Body          | 15-67-305/47 | 15-67-405/47 | 15-67-455/47 | 15-67-505/47 | 15-67-555/47 | 15-67-655/47 |
| 18   | 1   | L - Valve Body Upper Part | 15-62-010/47 | 15-62-011/47 | 15-62-012/47 | 15-62-013/47 | 15-62-014/47 | 15-62-015/47 |
| 19   | 1   | T - Valve Body Upper Part | 15-63-010/47 | 15-63-011/47 | 15-63-012/47 | 15-63-013/47 | 15-63-014/47 | 15-63-015/47 |
| 20   | 1   | S - Valve Body            | 15-60-110/47 | 15-60-111/47 | 15-60-112/47 | 15-60-113/47 | 15-60-114/47 | 15-60-115/47 |
| 21   | 1   | D - Valve Body            |              |              |              |              |              |              |

\*\* /33: HNBR; /73: Viton; /93: EPDM, /13: Silicone\*\*\*

\*\*\* When seat seals are made of silicone, the body seal (pos.9) is to be made of EPDM

\* Only for L, T, KLT and KTT bodies.

|      |     |                   | Ø25          | Ø38          | Ø51          | Ø63.5        | Ø76          | Ø101.6       |
|------|-----|-------------------|--------------|--------------|--------------|--------------|--------------|--------------|
| Item | Qty | Description       | Part No.     |              |              |              |              |              |
| -    | 1   | Seal Kit Viton    | 58-34-700/00 | 58-34-701/00 | 58-34-702/00 | 58-34-710/00 | 58-34-711/00 | 58-34-705/00 |
| -    | 1   | Seal Kit EPDM     | 58-34-700/01 | 58-34-701/01 | 58-34-702/01 | 58-34-710/01 | 58-34-711/01 | 58-34-705/01 |
| -    | 1   | Seal Kit Silicone | 58-34-700/02 | 58-34-701/02 | 58-34-702/02 | 58-34-710/02 | 58-34-711/02 | 58-34-705/02 |
| -    | 1   | Seal Kit HNBR     | 58-34-700/06 | 58-34-701/06 | 58-34-702/06 | 58-34-710/06 | 58-34-711/06 | 58-34-705/06 |

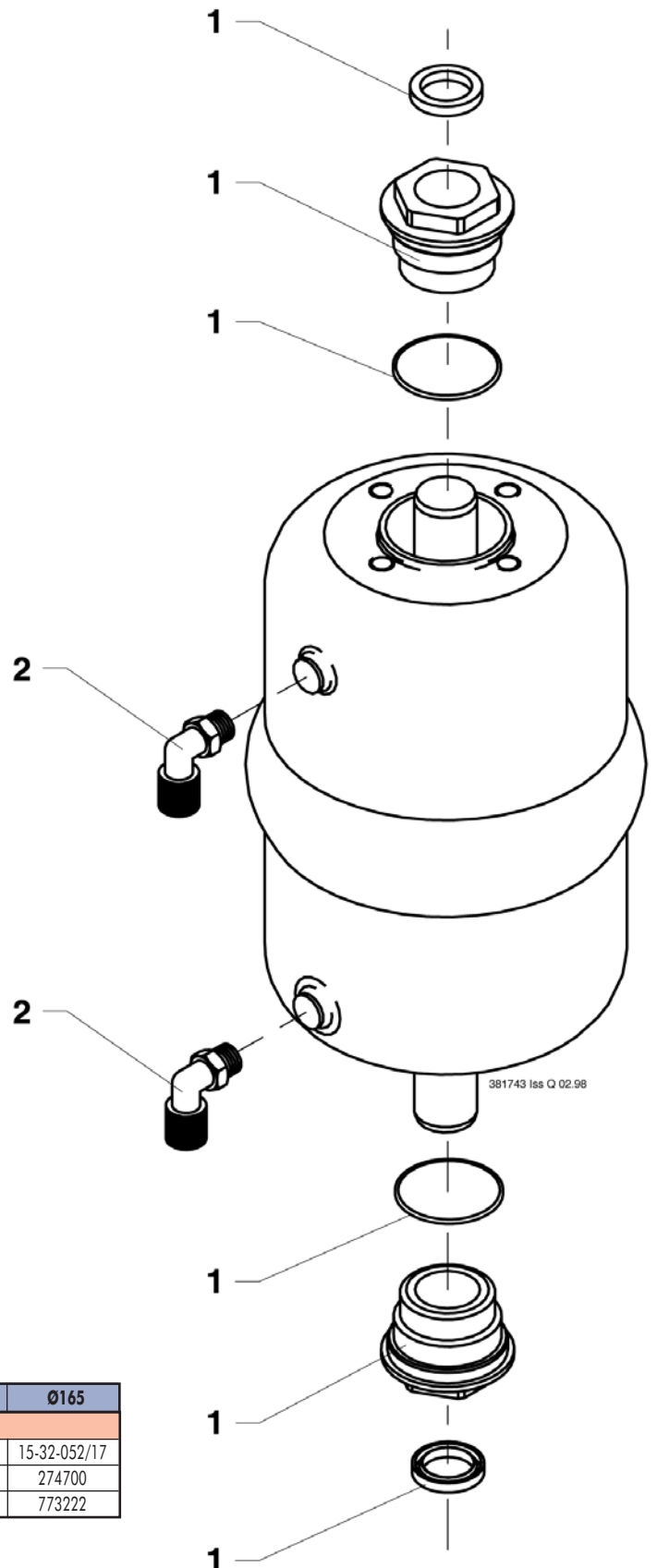
\* Only for LS, LD, TS & TD bodies.

|      |     |                   | Ø25          | Ø38          | Ø51          | Ø63.5        | Ø76          | Ø101.6       |
|------|-----|-------------------|--------------|--------------|--------------|--------------|--------------|--------------|
| Item | Qty | Description       | Part No.     |              |              |              |              |              |
| -    | 1   | Seal Kit Viton    | 58-34-715/00 | 58-34-716/00 | 58-34-717/00 | 58-34-725/00 | 58-34-726/00 | 58-34-720/00 |
| -    | 1   | Seal Kit EPDM     | 58-34-715/01 | 58-34-716/01 | 58-34-717/01 | 58-34-725/01 | 58-34-726/01 | 58-34-720/01 |
| -    | 1   | Seal Kit Silicone | 58-34-715/02 | 58-34-716/02 | 58-34-717/02 | 58-34-725/02 | 58-34-726/02 | 58-34-720/02 |
| -    | 1   | Seal Kit HNBR     | 58-34-715/06 | 58-34-716/06 | 58-34-717/06 | 58-34-725/06 | 58-34-726/06 | 58-34-720/06 |

\* Only for LL, LT, TT & TL bodies.

|      |     |                   | Ø25          | Ø38          | Ø51          | Ø63.5        | Ø76          | Ø101.6       |
|------|-----|-------------------|--------------|--------------|--------------|--------------|--------------|--------------|
| Item | Qty | Description       | Part No.     |              |              |              |              |              |
| -    | 1   | Seal Kit Viton    | 58-34-730/00 | 58-34-731/00 | 58-34-732/00 | 58-34-733/00 | 58-34-734/00 | 58-34-735/00 |
| -    | 1   | Seal Kit EPDM     | 58-34-730/01 | 58-34-731/01 | 58-34-732/01 | 58-34-733/01 | 58-34-734/01 | 58-34-735/01 |
| -    | 1   | Seal Kit Silicone | 58-34-730/02 | 58-34-731/02 | 58-34-732/02 | 58-34-733/02 | 58-34-734/02 | 58-34-735/02 |
| -    | 1   | Seal Kit HNBR     | 58-34-730/06 | 58-34-731/06 | 58-34-732/06 | 58-34-733/06 | 58-34-734/06 | 58-34-735/06 |

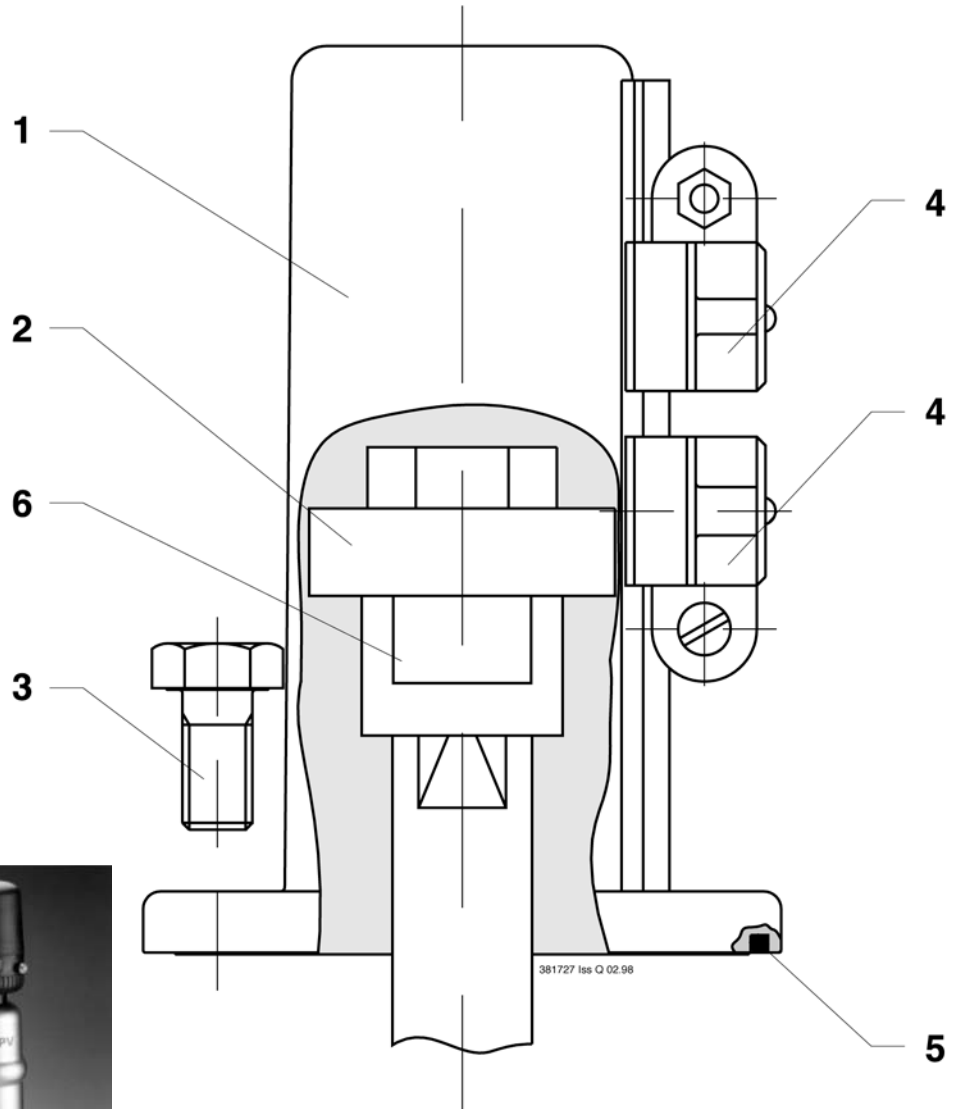
**Delta SW4 Single Seal Valve Actuator**



| Item | Qty | Description       | Ø74          | Ø110         | Ø165         |
|------|-----|-------------------|--------------|--------------|--------------|
|      |     |                   | Part No.     |              |              |
| -    | -   | Actuator Complete | 15-32-050/17 | 15-32-051/17 | 15-32-052/17 |
| 1    | 2   | Seal Bearing      | 274700       | 274700       | 274700       |
| 2    | 2   | Air Fitting       | 773222       | 773222       | 773222       |



## Delta SW4 Single Seal Valve Proximity Holder with Switch Holder



| Item | Qty | Description      | NW25         | NW40         | NW50         | NW65         | NW80         | NW100        |
|------|-----|------------------|--------------|--------------|--------------|--------------|--------------|--------------|
|      |     |                  | Part No.     |              |              |              |              |              |
| 1    | 1   | Proximity Box    | 08-05-075/93 | 08-05-075/93 | 08-05-075/93 | 08-05-075/93 | 08-05-075/93 | 08-05-075/93 |
| 2    | 1   | Actuator Screw   | 08-52-290/97 | 08-52-291/97 | 08-52-291/97 | 08-52-291/97 | 08-52-291/97 | 08-52-291/97 |
| 3    | 4   | Screw            | 700234       | 700234       | 700234       | 700234       | 700234       | 700234       |
| 4    | 2   | Proximity Holder | 15-33-933/93 | 15-33-933/93 | 15-33-933/93 | 15-33-933/93 | 15-33-933/93 | 15-33-933/93 |
| 5    | 1   | O-Ring           | 58-06-297/83 | 58-06-297/83 | 58-06-297/83 | 58-06-297/83 | 58-06-297/83 | 58-06-297/83 |
| 6    | 1   | Centering Nut    | 15-28-940/12 | 15-28-940/12 | 15-28-940/12 | 15-28-940/12 | 15-28-940/12 | 15-28-940/12 |