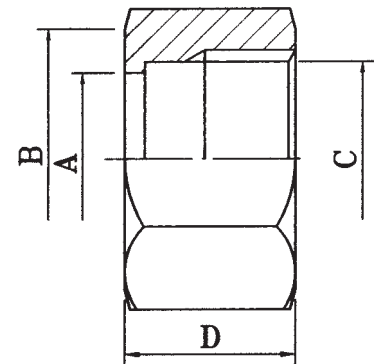
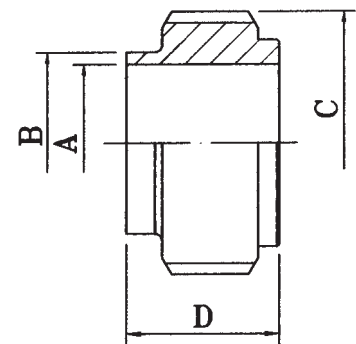


IDF Union Parts

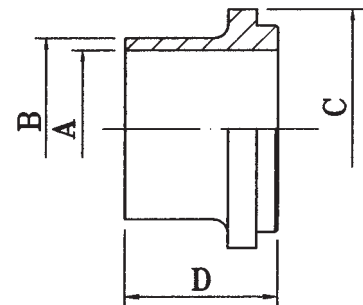
Hex Nut (304)					
Size	A	B	C	D	Part No.
1.0"	30.5	46.0	34.3	30.0	9002012
1.5"	43.5	60.0	47.9	30.0	9002011
2.0"	57.0	75.0	61.4	30.0	9002010
2.5"	70.7	90.0	74.9	30.0	9002009
3.0"	83.3	105.0	88.4	30.0	9002008
4.0"	112.0	133.0	122.1	34.9	9002007



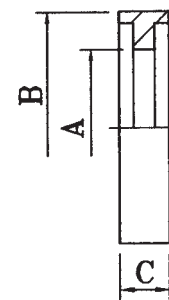
Welding Male (316)					
Size	A	B	C	D	Part No.
1.0"	22.2	25.6	37.2	21.5	9004018
1.5"	34.9	38.3	50.6	21.5	9004017
2.0"	47.6	51.0	64.2	21.5	9004016
2.5"	60.3	63.7	77.7	21.5	9004015
3.0"	73.0	76.4	91.2	21.5	9004014
4.0"	97.5	101.8	125.9	30.0	9004013



Welding Liner (316)					
Size	A	B	C	D	Part No.
1.0"	22.2	25.6	33.8	21.5	9004030
1.5"	34.9	38.3	47.0	21.5	9004029
2.0"	47.6	51.0	60.5	21.5	9004028
2.5"	60.3	63.7	74.0	21.5	9004027
3.0"	73.0	76.4	87.5	21.5	9004026
4.0"	97.5	101.8	120.6	30.0	9004025



Seal Ring					
Size		A	B	C	Part No.
1.0"	Nitrile	22.2	32.5	7	9005012
	EPDM	22.2	32.5	7	9005028
1.5"	Nitrile	34.9	46.0	7	9005011
	EPDM	34.9	46.0	7	9005029
2.0"	Nitrile	47.6	59.5	7	9005010
	EPDM	47.6	59.5	7	9005030
2.5"	Nitrile	60.3	73.0	7	9005009
	EPDM	60.3	73.0	7	9005031
3.0"	Nitrile	73.0	86.5	7	9005008
	EPDM	73.0	86.5	7	9005032
4.0"	Nitrile	97.5	119.0	7	9005007
	EPDM	97.5	119.0	7	-



Blanks	
Size	Part No.
1.0"	5004148
1.5"	5004029
2.0"	5004112
2.5"	5004030
3.0"	5004113
4.0"	5004145