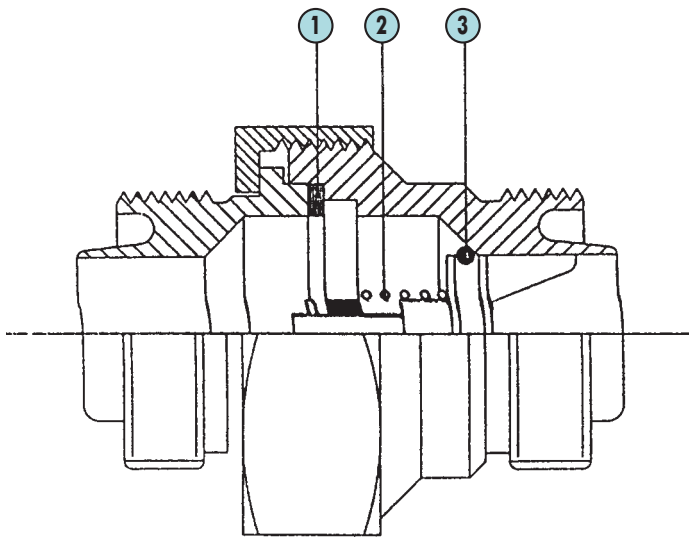


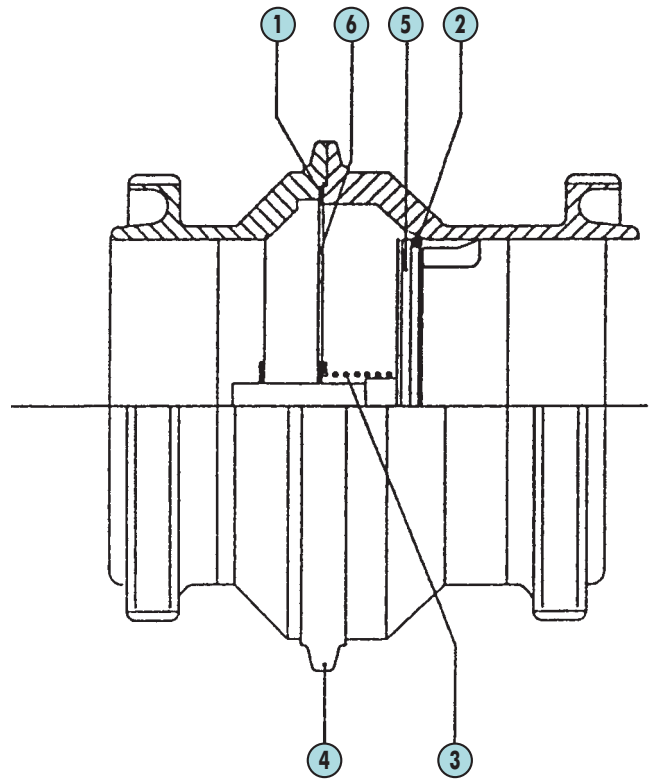
NON RETURN VALVES

Non-return valve

Two integral hydro-dynamic spiders provides hygienic design with low pressure loss and eliminates poppet displacement problems.



**3/4" to 3"
NRV MK2 NON RETURN VALVE**



**4"
MK2 NON RETURN VALVE**

MK2 NON RETURN VALVE COMPONENTS							
	3/4"	1"	1 1/2"	2"	2 1/2"	3"	4"
1. Body Joint Ring	1000700017	2000700017	3000700017	4000700017	5000700017	6000700017	7000700017
2. O Ring	1000700022	200070505	3000700015	400070505	5000700015	6000700015	7000700015
3. Spring	1000700022	2000700022	2000700022	4000700022	4000700022	6000700022	7000700022
4. Retainer Clip (4" only)	-	-	-	-	-	-	7000700024
5 Valve Poppet (4" only)	-	-	-	-	-	-	7000700010
6. Spider (4" only)	-	-	-	-	-	-	7000700020