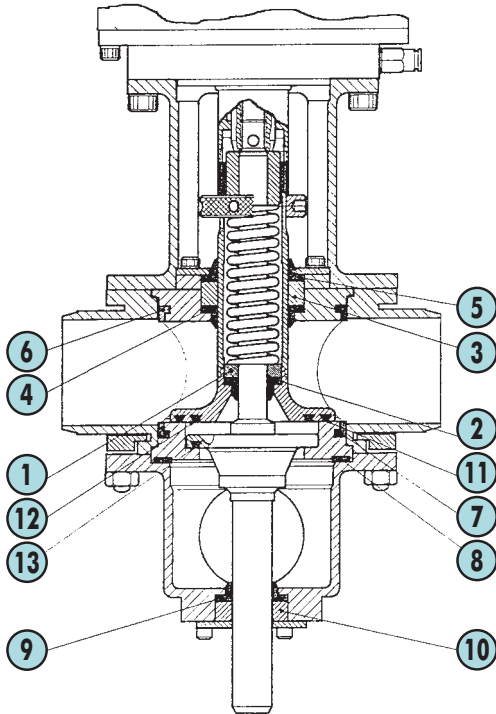
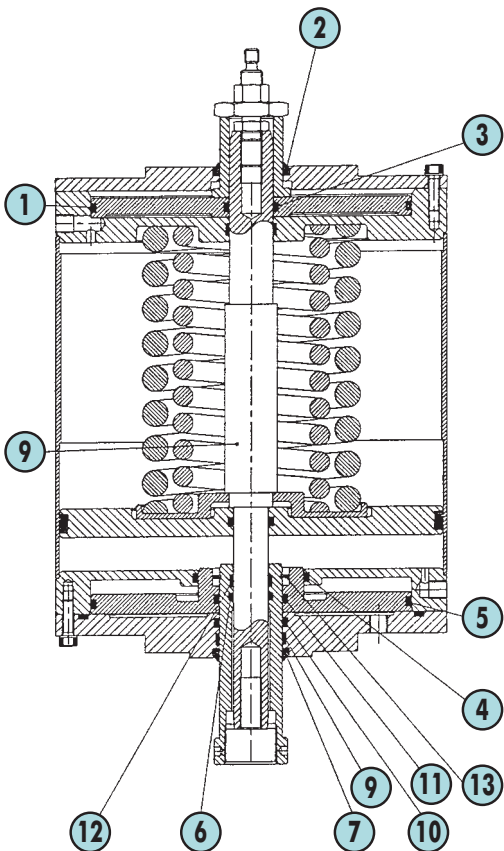


## SPARES – SEAT PULSING VALVE



VALVE RUNNING SPARES – SEALS AND BEARINGS						
		1½"	2"	2½"	3"	4"
1. Inner Bearing		4000806011	4000806011	4000806011	4000806011	7000806011
2. Inner Shaft Seal	-Nitrile	4000806003A	4000806003A	4000806003A	4000806003A	7000806003A
	-EPDM	4000806003C	4000806003C	4000806003C	4000806003C	7000806003C
	-Viton	4000806003D	4000806003D	4000806003D	4000806003D	7000806003D
3. Top Bearing		4000806017	4000806017	4000806017	4000806017	7000806017
4. Top Shaft Seal (Inner)	-Nitrile	4000806001A	4000806001A	4000806001A	4000806001A	7000806001A
	-EPDM	4000806001C	4000806001C	4000806001C	4000806001C	7000806001C
	-Viton	4000806001D	4000806001D	4000806001D	4000806001D	7000806001D
5. Top Shaft Seal (Outer)	-Nitrile	4000806001A	4000806001A	4000806001A	4000806001A	7000806001A
	-EPDM	4000806001C	4000806001C	4000806001C	4000806001C	7000806001C
	-Viton	4000806001D	4000806001D	4000806001D	4000806001D	7000806001D
6. Top Body Seal	-Nitrile	4000806007A	4000806007A	6000806007A	6000806007A	7000806007A
	-EPDM	4000806007C	4000806007C	6000806007C	6000806007C	7000806007C
	-Viton	4000806007D	4000806007D	6000806007D	6000806007D	7000806007D
7. Upper Middle Body Seal	-Nitrile	4000806007A	4000806007A	6000806007A	6000806007A	7000806007A
	-EPDM	4000806007C	4000806007C	6000806007C	6000806007C	7000806007C
	-Viton	4000806007D	4000806007D	6000806007D	6000806007D	7000806007D
8. Lower Middle Body Seal	-Nitrile	4000806014A	4000806014A	6000806014A	6000806014A	7000806014A
	-EPDM	4000806014C	4000806014C	6000806014C	6000806014C	7000806014C
	-Viton	4000806014D	4000806014D	6000806014D	6000806014D	7000806014D
9. Bottom Shaft Seal	-Nitrile	4000806002A	4000806002A	4000806002A	4000806002A	4000806001A
	-EPDM	4000806002C	4000806002C	4000806002C	4000806002C	4000806001C
	-Viton	4000806002D	4000806002D	4000806002D	4000806002D	4000806001D
10. Bottom Bearing		4000806010	4000806010	4000806010	4000806010	7000806010
11. Upper Poppet Outer Seal	-Nitrile	4000806005A	4000806005A	6000806005A	6000806005A	7000806005A
	-EPDM	4000806005C	4000806005C	6000806005C	6000806005C	7000806005C
	-Viton	4000806005D	4000806005D	6000806005D	6000806005D	7000806005D
12. Upper Poppet Inner Seal	-Nitrile	4000806006A	4000806006A	6000806006A	6000806006A	7000806006A
	-EPDM	4000806006C	4000806006C	6000806006C	6000806006C	7000806006C
	-Viton	4000806006D	4000806006D	6000806006D	6000806006D	7000806006D
13. Lower Poppet Seal	-Nitrile	4000806006A	4000806006A	6000806006A	6000806006A	7000806006A
	-EPDM	4000806006C	4000806006C	6000806006C	6000806006C	7000806006C
	-Viton	4000806006D	4000806006D	6000806006D	6000806006D	7000806006D



## SPARES – SEAT PULSING ACTUATOR

ACTUATOR RUNNING SPARES – PULSING ACTUATOR		
	2"	3"
1. Upper Piston Seal	0000870015	0000872015
2. Upper Shaft Scraper Seal	0000870021	0000872021
3. Upper Piston Shaft Seal	0000825009	0000872022
4. Lower Piston Inner Seal	0000870017	0000872017
5. Lower Piston Seal	0000870015	0000872015
6. Adjusted Collar Seal	0000825009	0000872018
7. Adjusted Collar Scraper Seal	0000870021	0000872021
8. Adjusted Collar Lower Seal	0000825011	0000825011
9. End Cap Bearing	0000870019	0000872019
10. End Cap Collar Seal	0000870017	0000872017
11. Lower Piston Inner Seal	0000870017	0000872017
12. Adjusted Collar Lower Seal	0000825011	0000825011

Actuator Identification: Size 2 – 142mm dia Size 3 – 219mm dia