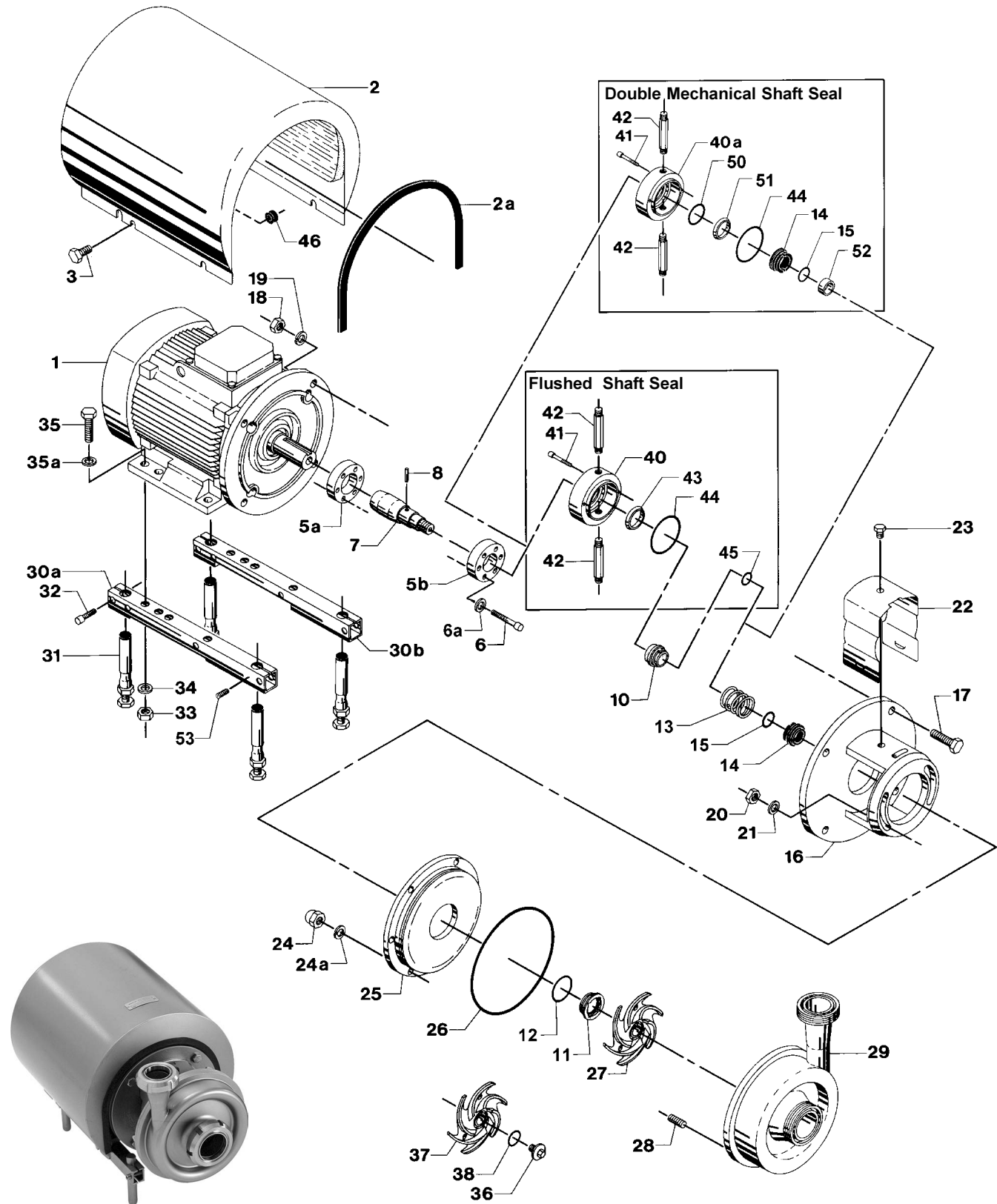


**Centrifugal Pump, Type LKH-60**  
Single, flushed and double mechanical shaft seal



# Centrifugal Pump, Type LKH-60

## Single, flushed and double mechanical shaft seal



Pos.	Qty.	Denomination	5.5-7.5 kW	11-15 kW	18.5 kW	22 kW	30 kW
3	4	Screw	9611-99-3240	9611-99-3241	9611-99-3241	9611-99-3242	9611-99-3243
5a	1	Compression ring with thread	9612-1336-05	9612-1336-03	9612-1336-03	9612-1336-04	9612-1336-07
5b	1	Compression ring without thread	9612-1337-05	9612-1337-03	9612-1337-03	9612-1337-04	9612-1337-07
6	6	Screw	9611-99-3197	9611-99-3198	9611-99-3198	9611-99-3198	9611-99-3198
6a	6	Washer	9611-99-3199	9611-99-3199	9611-99-3199	9611-99-3199	9611-99-3199
7	1	Shaft with internal/external thread and an (pos.8)	9612-1326-02	9612-1327-02	9612-1327-02	9612-1328-02	9612-2329-02
8	1	Connex pin	9611-99-0622	9611-99-0622	9611-99-0622	9611-99-0622	9611-99-0622
10	1	Drive ring, Single shaft seal	9612-1377-01	9612-1377-01	9612-1377-01	9612-1377-01	9612-1377-01
11	1	Drive ring, Flushed shaft seal	9612-1397-01	9612-1397-01	9612-1397-01	9612-1397-01	9612-1397-01
16	1	Adaptor	9612-3425-01	9612-3426-01	9612-3426-01	9612-3426-01	9612-3427-01
17	4	Screw for adaptor	9611-99-2162	9611-99-2163	9611-99-2163	9611-99-2164	9611-99-2164
18	4	Nut for adaptor	9611-99-0587	9611-99-2160	9611-99-2160	9611-99-2160	9611-99-2160
19	4	Washer for adaptor	9611-99-0676	9611-99-1886	9611-99-1886	9611-99-1886	9611-99-1886
20	2	Nut	9611-99-0353	9611-99-0353	9611-99-0353	9611-99-0353	9611-99-0353
21	2	Washer	9611-99-2559	9611-99-2559	9611-99-2559	9611-99-2559	9611-99-2559
22	1	Safety guard	9612-1311-07	9612-1311-08	9612-1311-08	9612-1311-08	9612-1311-08
23	1	Screw for safety guard	9611-99-3239	9611-99-3239	9611-99-3239	9611-99-3239	9611-99-3239
24	6	Cap nut	9611-99-2593	9611-99-2593	9611-99-2593	9611-99-2593	9611-99-2593
24a	6	Spring washer	9611-99-1887	9611-99-1887	9611-99-1887	9611-99-1887	9611-99-1887
25	1	Back plate	9612-1384-06	9612-1384-06	9612-1384-06	9612-1384-06	9612-1384-06
26	1	O-ring, EPDM (standard)	9611-99-2171	9611-99-2171	9611-99-2171	9611-99-2171	9611-99-2171
27	1	O-ring, NBR	9611-99-2173	9611-99-2173	9611-99-2173	9611-99-2173	9611-99-2173
28	1	O-ring, FPM	9611-99-2174	9611-99-2174	9611-99-2174	9611-99-2174	9611-99-2174
29	1	O-ring, FEP	9611-99-2174	9611-99-2174	9611-99-2174	9611-99-2174	9611-99-2174
27	1	Impeller	9612-1283-07	9612-1283-07	9612-1283-01	9612-1283-01	9612-1283-01
28	6	Bolt	9611-99-2169	9611-99-2169	9611-99-2169	9611-99-2169	9611-99-2169
29	1	Pump casing, IDF	9612-3554-01	9612-3554-01	9612-3554-01	9612-3554-01	9612-3554-01
1	1	Pump casing, SMS	9612-3554-02	9612-3554-02	9612-3554-02	9612-3554-02	9612-3554-02
1	1	Pump casing, DIN	9612-3554-03	9612-3554-03	9612-3554-03	9612-3554-03	9612-3554-03
1	1	Pump casing, ISO	9612-3554-04	9612-3554-04	9612-3554-04	9612-3554-04	9612-3554-04
1	1	Pump casing, BS	9612-3554-05	9612-3554-05	9612-3554-05	9612-3554-05	9612-3554-05
1	1	Pump casing, DS	9612-3554-06	9612-3554-06	9612-3554-06	9612-3554-06	9612-3554-06
1	1	Pump casing, NW 150/100	9612-3554-07	9612-3554-07	9612-3554-07	9612-3554-07	9612-3554-07
1	1	Pump casing, 152/4101.6 (dampl.)	9612-3554-08	9612-3554-08	9612-3554-08	9612-3554-08	9612-3554-08
1	1	Pump casing, flange DN100/DN100	9612-1380-06	9612-1380-06	9612-1380-06	9612-1380-06	9612-1380-06
1	1	Pump casing, flange DN150/DN100	9612-1380-07	9612-1380-07	9612-1380-07	9612-1380-07	9612-1380-07
Legs							
30a	1	Support bar, right (Period 9310-)	9612-1322-06				
1	1	Support bar, right (Period 9302-9310 <sup>1)</sup> )	9612-1322-02 <sup>1)</sup>	9612-1322-03	9612-1322-03	9612-1322-04	9612-1322-01
30b	1	Support bar, left (Period 9310-)	9612-1323-06				
1	1	Support bar, left (Period 9302-9310 <sup>1)</sup> )	9612-1323-02 <sup>1)</sup>	9612-1323-03	9612-1323-03	9612-1323-04	9612-1322-01
31	4	Leg	9612-3967-01	9612-3967-01	9612-3967-01	9612-3967-01	9612-3967-01
32	4	Screw (Period 9711-)	9611-99-1126	9611-99-1126	9611-99-1126	9611-99-1126	9611-99-1907
4	4	Screw (Period 9711-)	9611-99-1907	9611-99-1907	9611-99-1907	9611-99-1907	9611-99-1907
33	4	Nut	9611-99-0587	9611-99-0587	9611-99-0587	9611-99-0587	9611-99-0587
34	4	Spring washer	9611-99-0676	9611-99-0676	9611-99-0676	9611-99-0676	9611-99-0676
35	4	Screw	9611-99-1911	9611-99-1834	9611-99-1834	9611-99-1834	2210463-07
35a	4	Washer	9611-99-0706	9611-99-0706	9611-99-0706	9611-99-0706	9611-99-0703
46	4	Distance sleeve	9611-99-0786	31438-0390-2	31438-0390-2	31438-0390-1	31438-0390-3
53	4	Distance sleeve for M2AA (Period 9310-)	9611-99-2737				
1	1	Pivot screw					9611-99-1763

Alternatives

36	1	Impeller screw	9612-1396-01	9612-1396-01	9612-1396-01	9612-1396-01	9612-1396-01
37	1	Impeller for impeller screw	9612-1283-08	9612-1283-08	9612-1283-02	9612-1283-02	9612-1283-02
38	1	O-ring EPDM	9611-99-2145	9611-99-2145	9611-99-2145	9611-99-2145	9611-99-2145
1	1	O-ring NBR	9611-99-2147	9611-99-2147	9611-99-2147	9611-99-2147	9611-99-2147
1	1	O-ring FPM	9611-99-2146	9611-99-2146	9611-99-2146	9611-99-2146	9611-99-2146
1	1	O-ring FEP	9611-99-2148	9611-99-2148	9611-99-2148	9611-99-2148	9611-99-2148

Recommended Spare Parts: Service kits.  
900018/0

Pos.	Qty.	Denomination	5.5 kW	7.5 kW	11 kW	15 kW	18.5 kW	22 kW	30 kW
1	1	Motor, ABB M2AA <sup>2)</sup>	9612-4028-15	9612-4028-30	31801-0122-1	31801-1194-1	9611-3454-13	9611-3454-15	9612-3454-03 <sup>1)</sup>
1	1	Motor, ABB MBT <sup>3)</sup>	31801-1865-1 <sup>1)</sup>	31801-1865-1 <sup>1)</sup>					
1	1	Motor, ABB M2AA <sup>4)</sup>	9612-4028-17	9612-4028-32	31801-0122-3	31801-1194-3	9611-3454-14	9611-3454-16	9612-3454-04 <sup>1)</sup>
1	1	Motor, ABB MBT <sup>3)</sup>	31801-1865-3 <sup>1)</sup>	31801-1865-3 <sup>1)</sup>					
1	1	Motor, BROOK <sup>5)</sup>							9612-6055-01
1	1	Motor, BROOK <sup>5)</sup>							9612-6055-02
2	1	Shroud (Period 9310-) ABB	9612-1390-08	9612-1390-08					
1	1	Shroud (Period 9302-9310) ABB	9612-1390-04 <sup>1)</sup>	9612-1390-04 <sup>1)</sup>	9612-1390-05	9612-1390-05	9612-1390-05	9612-1390-05	9612-1390-06
1	1	Shroud (Period 9310-9907) ABB							9612-1390-07
1	1	Shroud (Period 9907-) BROOK							9612-5938-01
2a	1	Edge list (included in pos. 2)							

<sup>1)</sup> MBT motor (Period 9302-9310). Not available anymore.  
<sup>2)</sup> 3 ~, 50 Hz, 220-240V/D/380-420VY - Option <sup>3)</sup> 3 ~, 50 Hz, 380-420V/D/660-690VY - Standard  
<sup>3)</sup> 3 ~, 60 Hz, 250-280V/D/440-480VY - Option <sup>4)</sup> 3 ~, 60 Hz, 440-480V/D - Standard  
<sup>4)</sup> ABB motor (Period -9907)

Pos.	Qty.	Denomination	5.5-30 kW
<b>Accessories</b>			
1	1	Tool complete	9612-1371-01
<b>Parts for Flushed Shaft Seal</b>			
40	1	Seal housing	9612-1339-01
41	2	Screw for seal housing	9611-99-0203
42	2	Tube	9612-3589-07
<b>Parts for Double Mechanical Shaft Seal</b>			
40a	1	Seal housing	9612-1339-02
41	2	Screw for seal housing	9611-99-0203
42	2	Tube	9612-3589-07
<b>Service kit for single shaft seal</b>			
□	Service kit, EPDM	9611-92-2088	
□	Service kit, NBR	9611-92-2089	
□	Service kit, FPM	9611-92-2090	
□	Service kit, FEP	9611-92-2091	
<b>Service kit for single shaft seal and impeller screw</b>			
◆	Service kit, EPDM	9611-92-2130	
◆	Service kit, NBR	9611-92-2131	
◆	Service kit, FPM	9611-92-2132	
◆	Service kit, FEP	9611-92-2133	
<b>Service kit for flushed shaft seal</b>			
○	Service kit, EPDM	9611-92-2092	
○	Service kit, NBR	9611-92-2093	
○	Service kit, FPM	9611-92-2094	
○	Service kit, FEP	9611-92-2095	
<b>Service kit for flushed shaft seal and impeller screw</b>			
*	Service kit, EPDM	9611-92-2134	
*	Service kit, NBR	9611-92-2135	
*	Service kit, FPM	9611-92-2136	
*	Service kit, FEP	9611-92-2137	
<b>Service kit for double mechanical shaft seal</b>			
◇	Service kit, EPDM	9611-92-2230	
◇	Service kit, NBR	9611-92-2231	
◇	Service kit, FPM	9611-92-2232	
◇	Service kit, FEP	9611-92-2233	
<b>Service kit for double mechanical shaft seal and impeller screw</b>			
●	Service kit, EPDM	9611-92-2234	
●	Service kit, NBR	9611-92-2235	
●	Service kit, FPM	9611-92-2236	
●	Service kit, FEP	9611-92-2237	

Conversion kit, single to flushed shaft seal 9611-92-2042 = Pos. 10+40+41+42+43+44+45  
 Conversion kit, single to double mechanical shaft seal 9611-92-2175 = Pos. 14+15+40a+41+42+44+50+51+52. SIC/SIC = 9611-92-2302.  
 Conversion kit, flushed to double mechanical shaft seal 9611-92-2176 = Pos. 14+40a+50+51+52

Parts marked with □/◇/◆/● are included in the service kits.

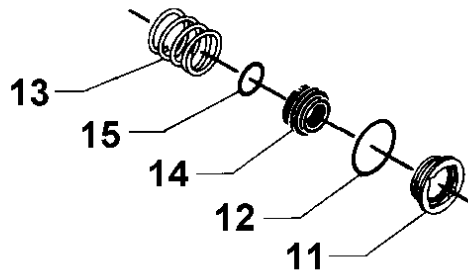
Surface roughness, product wetted parts: Ra ≤ 0.8 µm

Pos.	Qty.	Denomination	5.5-15 kW	18.5-30 kW
25	1	Back plate	9612-1384-22	9612-1384-22
27	1	Impeller	9612-1283-09	9612-1283-05
29	1	Pump casing, IDF	9612-3554-09	9612-3554-09
1	1	Pump casing, SMS	9612-3554-10	9612-3554-10
1	1	Pump casing, DIN	9612-3554-11	9612-3554-11
1	1	Pump casing, ISO	9612-3554-12	9612-3554-12
1	1	Pump casing, BS	9612-3554-13	9612-3554-13
<b>Alternatives</b>				
36	1	Impeller screw	9612-1396-03	9612-1396-03
37	1	Impeller for impeller screw	9612-1283-10	9612-1283-06

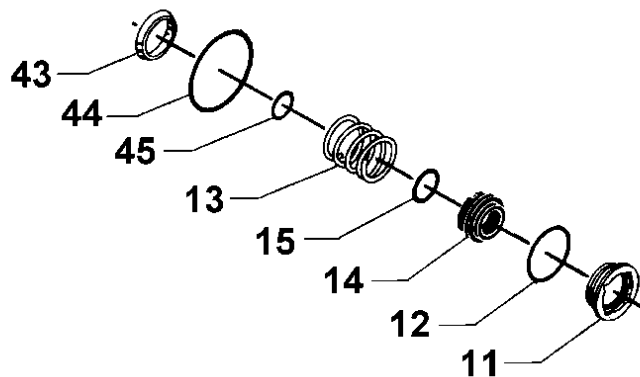
Shaft Seals for Centrifugal Pump  
Type LKH 5 - 60



Single Shaft Seal



Flushed Shaft Seal



Double Mechanical Shaft Seal

