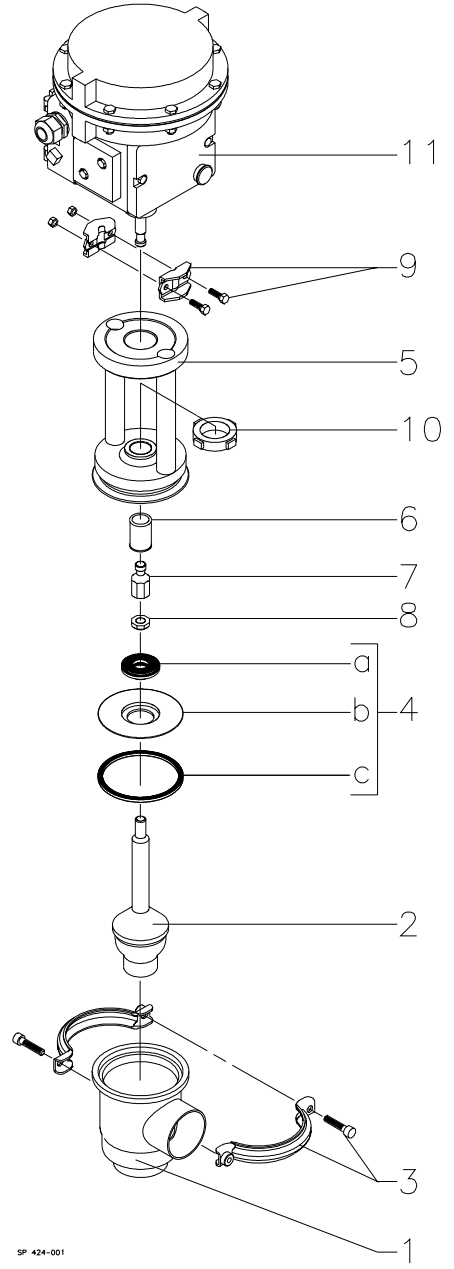


**Sanitary Electro-Pneumatic Modulating Valve
Type SPC-2 (Samson actuator, beige colour)**

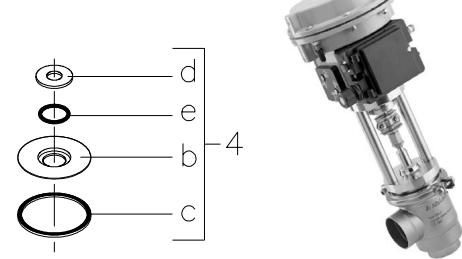


Pos.	Qty.	Denomination	38 mm NW40	51 mm NW50	63.5 mm NW65	76 mm NW80	101.6 mm NW100
1	1	Valve body, .. Kv 0.5 ISO	9612-1155-01				
1	1	Valve body, .. Kv 0.5 DIN	9612-1180-01				
1	1	Valve body, .. Kv 1 ISO	9612-1155-02				
1	1	Valve body, .. Kv 1 DIN	9612-1180-02				
1	1	Valve body, .. Kv 2 ISO	9612-1155-03				
1	1	Valve body, .. Kv 2 DIN	9612-1180-03				
1	1	Valve body, .. Kv 4 ISO	9612-1155-04				
1	1	Valve body, .. Kv 4 DIN	9612-1180-04				
1	1	Valve body, .. Kv 8 ISO	9612-1155-05				
1	1	Valve body, .. Kv 8 DIN	9612-1180-05				
1	1	Valve body, .. Kv 16 ISO	9612-1155-06				
1	1	Valve body, .. Kv 16 DIN	9612-1180-06				
1	1	Valve body, .. Kv 32 ISO		9612-1156-01			
1	1	Valve body, .. Kv 32 DIN		9612-1181-01			
1	1	Valve body, .. Kv 64 ISO			9612-1157-01		
1	1	Valve body, .. Kv 64 DIN			9612-1182-01		
1	1	Valve body, .. Kv 72 ISO				9612-1158-01	
1	1	Valve body, .. Kv 72 DIN				9612-1183-01	
1	1	Valve body, .. Kv 101 ISO					9612-1159-01
1	1	Valve body, .. Kv 101 DIN					9612-1184-01
2	1	Plug, Kv 0.5 ISO	9612-5282-01				
1	1	Plug, Kv 0.5 DIN	9612-5282-01				
1	1	Plug, Kv 1 ISO	9612-5283-01				
1	1	Plug, Kv 1 DIN	9612-5283-01				
1	1	Plug, Kv 2 ISO	9612-5284-01				
1	1	Plug, Kv 2 DIN	9612-5284-01				
1	1	Plug, Kv 4 ISO	9612-5285-01				
1	1	Plug, Kv 4 DIN	9612-5285-01				
1	1	Plug, Kv 8 ISO	9612-5286-01				
1	1	Plug, Kv 8 DIN	9612-5286-01				
1	1	Plug, Kv 16 ISO	9612-5287-01				
1	1	Plug, Kv 16 DIN	9612-5287-01				
1	1	Plug, Kv 32 ISO		9612-5288-01			
1	1	Plug, Kv 32 DIN		9612-5288-01			
1	1	Plug, Kv 64 ISO			9612-5289-01		
1	1	Plug, Kv 64 DIN			9612-5289-01		
1	1	Plug, Kv 72 ISO				9612-5289-01	
1	1	Plug, Kv 72 DIN				9612-5289-02	
1	1	Plug, Kv 110 ISO					9612-5290-01
1	1	Plug, Kv 110 DIN					9612-5290-01



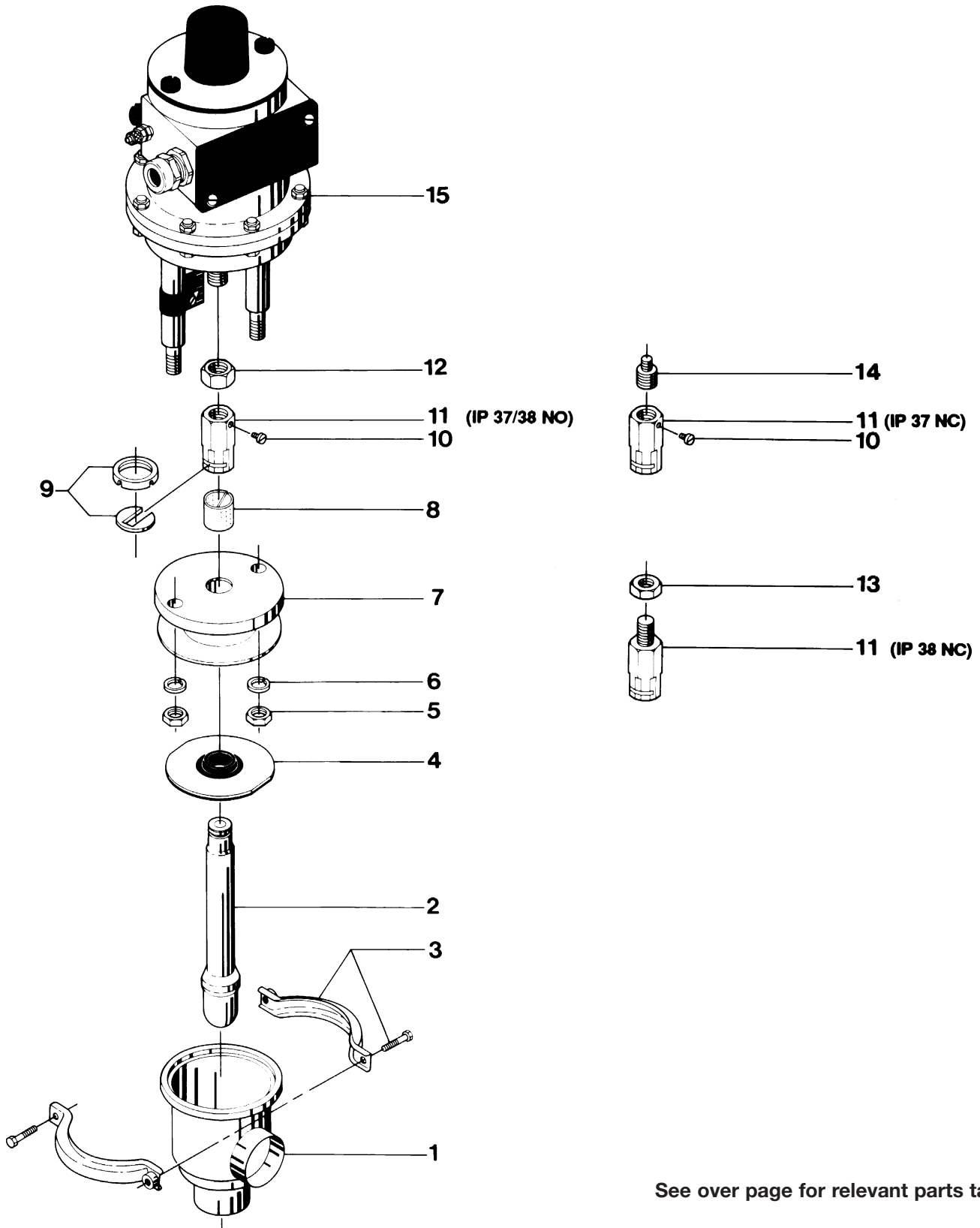
Pos.	Qty.	Denomination	38-51 mm NW40-50	63.5-76 mm NW65-80	101.6 mm NW100
3	1	Clamp complete	31320-0027-3	31320-0027-5	31320-0027-5
4	1	Lip seal kit, EPDM (standard)	9611-92-0078	9611-92-0142	9611-92-0142
1	1	Lip seal kit, NBR	9611-92-0079	9611-92-0143	9611-92-0143
1	1	Lip seal kit, FPM	9611-92-0080	9611-92-0144	9611-92-0144
1	1	Lip seal kit, PTFE	9611-92-0445	9611-92-0446	9611-92-0446
aΔ	1	Lip seal, EPDM	9612-2806-01	9612-3088-01	9612-3088-01
1	1	Lip seal, NBR	9612-2806-02	9612-3088-02	9612-3088-02
1	1	Lip seal, FPM	9612-2806-03	9612-3088-03	9612-3088-03
b	1	Plate	9612-2805-01	9612-3087-01	9612-3087-01
1	1	Plate for FEP seal	31353-0453-1	31353-0454-1	31353-0454-1
cΔ	1	Seal ring, EPDM	31353-0128-1	31353-0205-1	31353-0205-1
1	1	Seal ring, NBR	31353-0128-2	31353-0205-2	31353-0205-2
1	1	Seal ring, FPM	31353-0128-3	31353-0205-3	31353-0205-3
1	1	Seal ring, PTFE	31353-0451-1	31353-0451-2	31353-0451-2
d	1	Washer	31353-0452-1	31353-0452-2	31353-0452-2
eΔ	1	O-ring	9611-99-2909	9611-99-2910	9611-99-2910
5	1	Bonnet complete	9612-5331-01	9612-5331-02	9612-5331-02
6Δ	1	Guide ring	9612-3586-01	9612-3586-04	9612-3586-04
7	1	Valve plug adjuster	9612-5340-01	9612-5340-01	9612-5340-01
8	1	Lock nut	9612-5341-01	9612-5341-01	9612-5341-01
9	1	Clamp fitting	9612-5342-01	9612-5342-01	9612-5342-01
10	1	Striking nut	9612-5339-01	9612-5339-01	9612-5339-01
11	1	Actuator complete NO	9612-5336-01	9612-5336-01	9612-5336-01
1	1	Actuator complete NC	9612-5336-02	9612-5336-02	9612-5336-03
Δ		Service kit EPDM	9611-92-0419	9611-92-0423	9611-92-0423
Δ		Service kit NBR	9611-92-0420	9611-92-0424	9611-92-0424
Δ		Service kit FPM	9611-92-0421	9611-92-0425	9611-92-0425
Δ		Service kit PTFE	9611-92-0422	9611-92-0426	9611-92-0426

Parts for FEP seal



Parts marked with Δ are included in the Service kits.

Sanitary Electro-Pneumatic Modulating Valve
Type SPC-2 (Kämmer actuator, yellow colour)



See over page for relevant parts table

**Sanitary Electro-Pneumatic Modulating Valve
Type SPC-2 (Kämmer actuator, yellow colour)**



Pos.	Qty.	Denomination	38 mm NW40	51 mm NW50	63.5 mm NW65	76 mm NW80	101.6 mm NW100
1	1	Valve body.....Kv 0.5.....ISO	9612-1155-01				
	1	Valve body.....Kv 0.5.....DIN	9612-1180-01				
	1	Valve body.....Kv 1.....ISO	9612-1155-02				
	1	Valve body.....Kv 1.....DIN	9612-1180-02				
	1	Valve body.....Kv 2.....ISO	9612-1155-03				
	1	Valve body.....Kv 2.....DIN	9612-1180-03				
	1	Valve body.....Kv 4.....ISO	9612-1155-04				
	1	Valve body.....Kv 4.....DIN	9612-1180-04				
	1	Valve body.....Kv 8.....ISO	9612-1155-05				
	1	Valve body.....Kv 8.....DIN	9612-1180-05				
	1	Valve body.....Kv 16.....ISO	9612-1155-06				
	1	Valve body.....Kv 16.....DIN	9612-1180-06				
	1	Valve body.....Kv 32.....ISO		9612-1156-01			
	1	Valve body.....Kv 32.....DIN		9612-1181-01			
	1	Valve body.....Kv 64L.....ISO			9612-1157-01		
	1	Valve body.....Kv 64L.....DIN			9612-1182-01		
	1	Valve body.....Kv 75L.....ISO				9612-1158-04	
	1	Valve body.....Kv 75L.....DIN				9612-1183-02	
	1	Valve body.....Kv 110L.....ISO					9612-1159-04
	1	Valve body.....Kv 110L.....DIN					9612-1184-02
2	1	Plug.....Kv 0.5.....	9612-1144-01				
	1	Plug.....Kv 1.....	9612-1144-02				
	1	Plug.....Kv 2.....	9612-1144-03				
	1	Plug.....Kv 4.....	9612-1144-04				
	1	Plug.....Kv 8.....	9612-1144-05				
	1	Plug.....Kv 16.....	9612-1144-06				
	1	Plug.....Kv 32.....	9612-1144-08				
	1	Plug.....Kv 64L.....		9612-1144-10			
	1	Plug.....Kv 75L (76 mm).....			9612-1144-10		
	1	Plug.....Kv 75L (NW 80).....			9612-1144-17		
	1	Plug.....Kv 110L.....				9612-1144-16	
3	1	Clamp complete.....	9611-31-105-4	9611-31-105-4	9611-31-105-5	9611-31-105-5	9611-31-105-5
4Δ	1	Lip seal, EPDM (standard).....	31353-0155-1	31353-0155-1	31353-0188-1	31353-0188-1	31353-0188-1
	1	Lip seal, NBR.....	31353-0155-2	31353-0155-2	31353-0188-2	31353-0188-2	31353-0188-2
	1	Lip seal, FPM.....	31353-0155-3	31353-0155-3	31353-0188-3	31353-0188-3	31353-0188-3
5	2	Nut.....IP 37.....	9611-99-0360	9611-99-0360			
	3	Nut.....IP 38.....			9611-99-0353	9611-99-0353	9611-99-0353
6	2	Spring washer.....IP 37.....	9611-99-1888	9611-99-1888			
	2	Spring washer.....IP 38.....			9611-99-1887	9611-99-1887	9611-99-1887
7	1	Bonnet.....	9612-1154-01	9612-1154-01	9612-1145-01	9612-1145-01	9612-1145-01
8Δ	1	Guide ring.....	9611-99-2510	9611-99-2510	9611-99-2528	9611-99-2528	9611-99-2528
9	1	Clip assembly.....	31353-0793-1	31353-0793-1	31353-0793-1	31353-0793-1	31353-0793-1
10	1	Lock screw.....	9611-99-2527	9611-99-2527	9611-99-2527	9611-99-2527	9611-99-2527
11	1	Adjustment piece.....IP 37.....NC	9612-1151-01	9612-1151-01			
	1	Adjustment piece.....IP 37.....NO	9612-1152-01	9612-1152-01			
	1	Adjustment piece.....IP 38.....NC			9612-1153-01	9612-1153-01	9612-1153-01
	1	Adjustment piece.....IP 38.....NO			9612-1151-01	9612-1151-01	9612-1151-01
12	1	Nut.....IP 38.....NO			990092-01	990092-01	990092-01
13	1	Nut.....IP 38.....NC			9611-99-1182	9611-99-1182	9611-99-1182
14	1	Adaptor.....IP 37.....NC	9612-1146-01	9612-1146-01			
15	1	Actuator.....(Std.).....NO	9612-1103-01	9612-1103-01	9612-1103-03	9612-1103-03	9612-1103-03
	1	Actuator (Kv 0.5-8 for 38 mm).....(Std.).....NC	9612-1103-02		9612-1103-04	9612-1103-04	9612-1103-04
	1	Actuator (Kv 16-32).....(Std.).....NC	9612-1103-07	9612-1103-07			
Δ		Service kit EPDM.....	9611-92-0121	9611-92-0121	9611-92-0122	9611-92-0122	9611-92-0122
Δ		Service kit NBR.....	9611-92-0123	9611-92-0123	9611-92-0124	9611-92-0124	9611-92-0124
Δ		Service kit FPM.....	9611-92-0125	9611-92-0125	9611-92-0126	9611-92-0126	9611-92-0126

Parts marked with Δ are included in the Service kits.